

SONY[®]

HD COLOR CAMERA

HSC300RF

HSC100RF

HSC300R

HSC100R

Power HAD FX 

OPERATION MANUAL English
1st Edition

Table of Contents

Overview	3
Features.....	3
System Configuration Example	5
Locations and Functions of Parts	8
Front Right	8
Front Left	9
Rear	9
Operation Panel	10
Connector Panel	11
Connection and Setup	12
Connecting a Camera Control Unit (CCU)	12
Attaching a Lens	13
Attaching a Viewfinder	13
Attaching a Microphone	14
Mounting the Camera to a Tripod	15
Adjusting the Shoulder Pad Position	16
Adjustments/Settings	16
Adjusting the Black Balance and White Balance	16
Setting the Electronic Shutter	18
Setting the Time	18
Adjusting the Lens (Flange Back)	19
Setting the Focus Assist Function	19
Setting the Camera Outputs	21
Outputting a Trunk Signal	22
Menus.....	22
Displaying Menu Pages	22
Setting the Menu	23
Editing the USER Menu	24
Menu Tree	27
OPERATION Menu.....	30
PAINT Menu	35
MAINTENANCE Menu.....	39
FILE Menu	42
DIAGNOSIS Menu.....	43
Appendix.....	45
Precautions	45
Digital Triax Transmission (HSC300R/HSC100R)	45
Error Messages	46
Using a USB Drive	46
Specifications	46
Notice Concerning Software Governed by the GNU GPL/LGPL	49

Overview

The HSC300RF, HSC100RF, HSC300R, and HSC100R are high-definition portable video cameras equipped with a 2/3-type, 2.2 million pixel CCD.

They can be used as standalone cameras or can be combined with a camera control unit (CCU) for studio camera use.

The following equipment combinations can be used.

- HSC300RF/HSC100RF and HSCU300RF camera control unit
- HSC300R/HSC100R and HSCU300R camera control unit

In addition, by installing HZCU-MC3 multi-camera control system support software on the CCU, a multi-camera application system can be formed in combination with a master setup unit (MSU).

The camera specifications vary depending on the model as given below.

	HSC300RF	HSC100RF	HSC300R	HSC100R
Signal transmission method between camera and CCU	Optical digital transmission over an optical fiber cable		Digital transmission over a triaxial cable	
Built-in filters	Optical ND filters (clear, 1/4 ND, 1/16 ND, 1/64 ND) Optical CC filters (3200K, 4300K, 6300K) Electric filter (5600K)	Optical ND filters (clear, 1/4 ND, 1/16 ND, 1/64 ND) Electric filter (5600K)	Optical ND filters (clear, 1/4 ND, 1/16 ND, 1/64 ND) Optical CC filters (3200K, 4300K, 6300K) Electric filter (5600K)	Optical ND filters (clear, 1/4 ND, 1/16 ND, 1/64 ND) Electric filter (5600K)
Large-lens adapter operation	HDLA1500-series support	Not supported	HDLA1500-series support	Not supported

Features

High picture quality and high performance

The camera is equipped with a 2/3-type, 2.2 million pixel, wide bandwidth, progressive IT CCD.

It features the latest signal processor LSI technology that achieves high image quality through improved S/N ratio, high resolution, and reduced smear level in comparison with previous models.

Also, a 16-bit A/D converter provides high-definition image reproduction and enhanced black reproduction.

Multi-format support

Supports 1080/59.94i, 720/59.94P, 1080/50i and 720/50P.

Digital extender function

This function digitally magnifies the central part of the viewfinder picture to twice its size.

It prevents the decrease in sensitivity (F-drop) that occurs with a lens extender.

Aberration compensation function

Auto Lens Aberration Compensation 2.0 (ALAC) is provided with this camera. This automatically reduces the magnification chromatic aberration when a lens that supports auto lens aberration compensation is attached.

For details on lenses that support auto lens aberration compensation, contact a Sony sales representative or Sony service representative.

Various color reproduction adjustment functions

Adaptive matrix function

This function accurately controls matrix calculation coefficients to provide more accurate color conversion when shooting. This makes precise color conversion possible even when shooting under conditions that would otherwise exceed the color conversion range of traditional matrix functions, such as under strong monochromatic blue light sources.

Knee saturation

Changes in hue and decrease in chroma that occur in highlighted areas can be compensated.

This enables reproduction of natural skin tones under strong lighting.

Low key saturation

Saturation in low-key areas can be compensated. It provides compensation for color reproduction in all areas, when used in combination with matrix color compensation and the knee saturation function.

Gamma table selection

Seven types of standard and 4 types of hyper gamma tables are provided with this camera. The hyper gamma values enable cinema-like image creation with wide dynamic range, unlike images achieved with conventional video gamma.

Versatile detail control functions

Skin-tone detail function

This function controls (enhances or suppresses) the detail level for certain hue or chroma areas in the image, by creating a detail gate signal from color components of any specified hues.

The detail of three hues can be controlled independently at the same time.

Detail boost-frequency control

The boost frequency can be adjusted in the range 20 to 30 MHz, enabling more subtle image reproduction by setting the thickness of the detail signal to an appropriate level to match the subject.

H/V ratio control

The ratio between horizontal and vertical detail is adjustable.

White/black limiter

The white and black details can be limited independently.

Focus assist functions

The VF detail function and focus assist indicator function facilitate focusing.

VF detail

Various functions are provided which can be added to images on the viewfinder screen only to facilitate focusing: functions for adding color to the VF detail signal, flickering the VF detail signal by adding modulation, broadening the VF detail signal, and automatically compensating the VF detail level according to the zoom position.

Focus assist indicator

The focusing level indicator on the viewfinder screen provides a guide for focusing. The best focus setting can be easily determined by observing the fluctuation of the level indicator as a guide.

Various viewfinder functions

Wide variety of viewfinder display options

Camera settings can be displayed on the viewfinder screen, in addition to items such as operation messages, a zebra pattern¹⁾, safety-zone marker²⁾, and center marker³⁾. Also, other indicators are arranged along the top and bottom on the viewfinder screen, such as a tally lamp, battery warning indicator, and warning indicators to alert you when settings are other than standard.

- 1) Zebra pattern: A stripe pattern displayed on the viewfinder screen which indicates the portions where the video level is above about 70% and 100%. Used to check the video level of the subject.
- 2) Safety zone marker: A box-shaped marker displayed on the viewfinder screen which indicates 80%, 90%, 92.5%, or 95% of the total screen area
- 3) Center marker: A cross-shaped marker which indicates the center of the viewfinder screen

Menu-based control functions

Selections and settings for viewfinder display items, safety-zone marker, center marker, screen size marker, etc. can be made quickly and easily using setup menus displayed on the viewfinder screen or an external monitor.

Optional accessories

You can add new functions by incorporating the following optional accessories.

For information about installing optional accessories, contact a Sony service or sales representative.

HZC-PSF3 Support software for PsF format

Embedding HZC-PSF3 PsF format-compatible software makes creation of 1080/25PsF and 1080/29.97PsF formats possible.

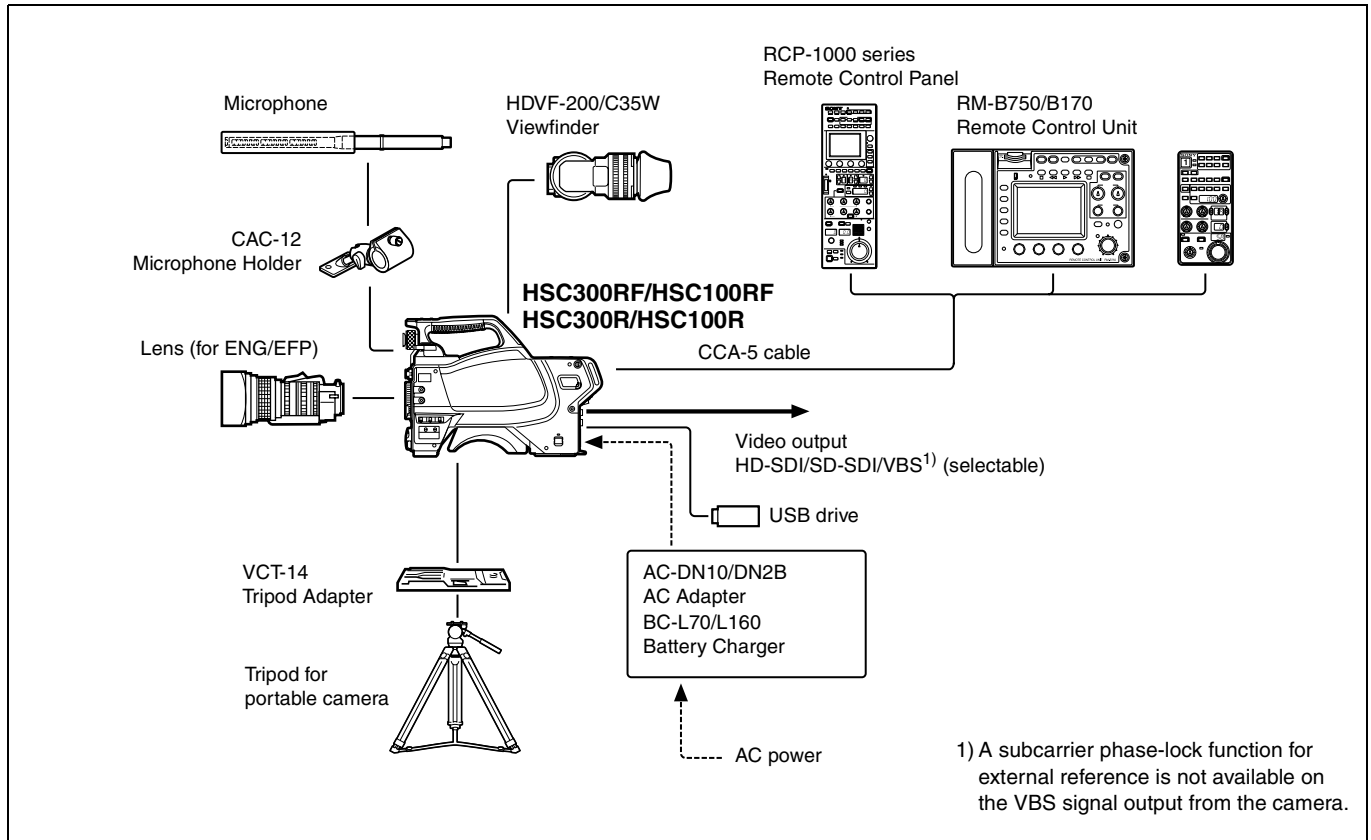
System Configuration Example

Peripheral devices and related devices for the camera are shown in the following diagrams.

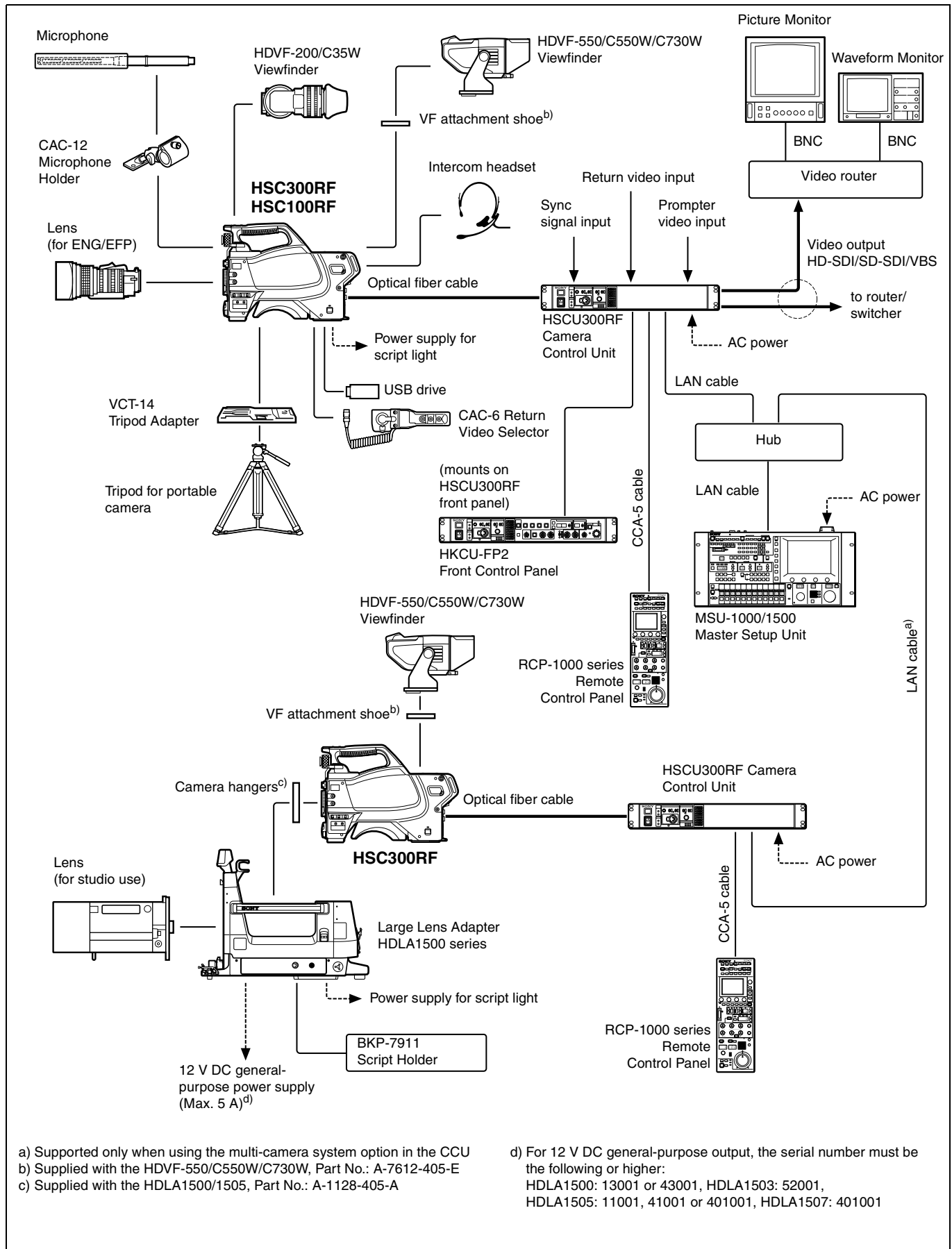
Note

Production of some of the peripheral devices and related devices shown in the figures may have been discontinued. For advice on choosing devices, please contact your Sony dealer or a Sony sales representative.

Standalone operation example



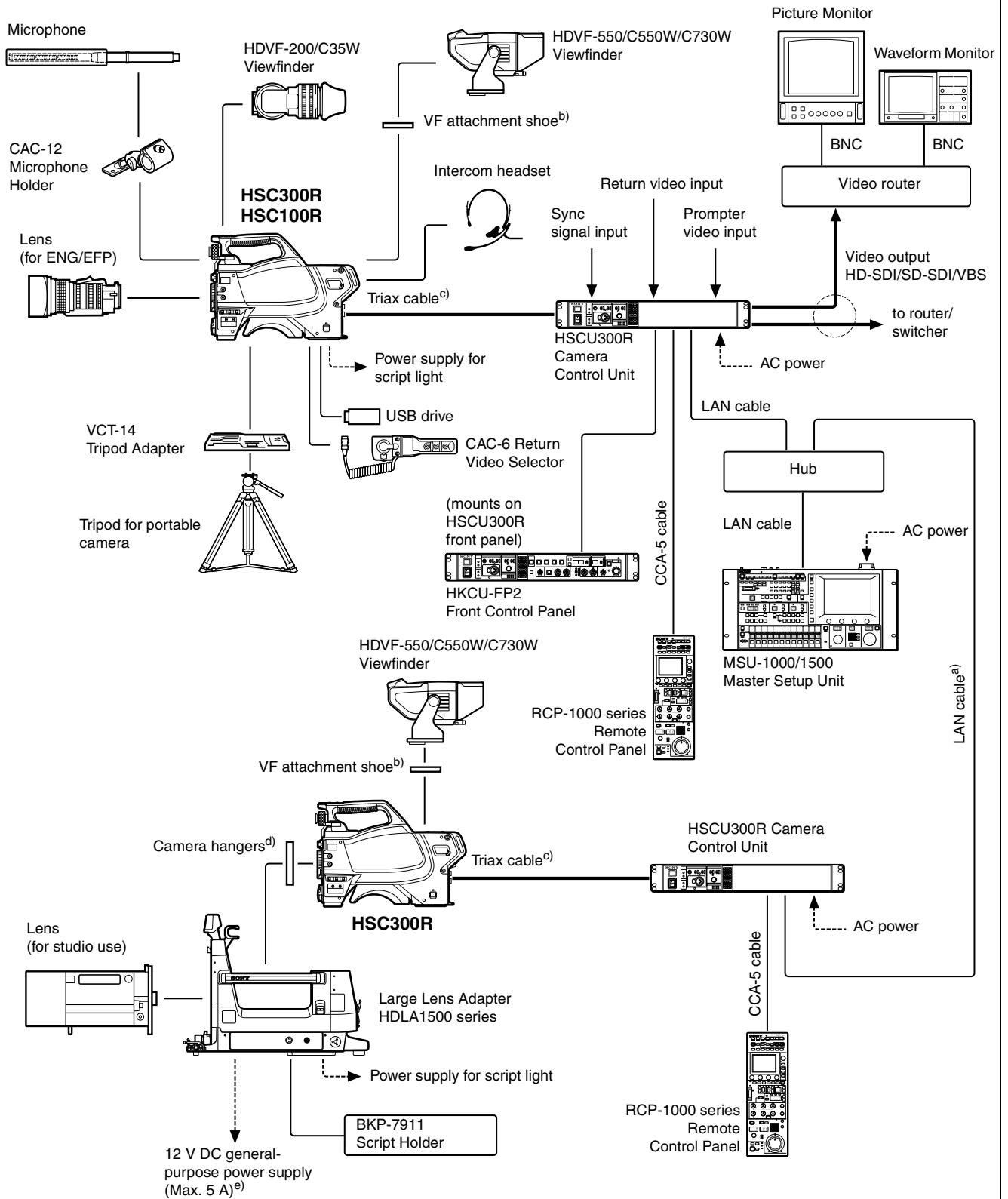
System operation example (two HSC300RF/HSC100RF cameras with camera control units^{a)})



a) Supported only when using the multi-camera system option in the CCU
 b) Supplied with the HDVF-550/C550W/C730W, Part No.: A-7612-405-E
 c) Supplied with the HDLA1500/1505, Part No.: A-1128-405-A

d) For 12 V DC general-purpose output, the serial number must be the following or higher:
 HDLA1500: 13001 or 43001, HDLA1503: 52001,
 HDLA1505: 11001, 41001 or 401001, HDLA1507: 401001

System operation example (two HSC300R/HSC100R cameras with camera control units^{a)})

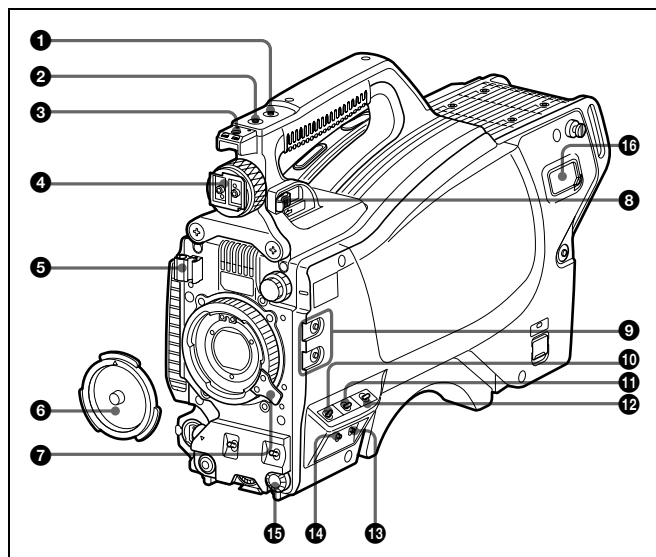


a) Supported only when using the multi-camera system option in the CCU
 b) Supplied with the HDVF-550/C550W/C730W, Part No.: A-7612-405-E
 c) For details about triax transmission distances, see "Triax Transmission Distances" on page 46.

d) Supplied with the HDLA1500/1505, Part No.: A-1128-405-A
 e) For 12 V DC general-purpose output, the serial number must be the following or higher:
 HDLA1500: 13001 or 43001, HDLA1503: 52001,
 HDLA1505: 11001, 41001 or 401001, HDLA1507: 401001

Locations and Functions of Parts

Front Right



1 INCOM (intercom) button (UC model)/ENG (engineer line) button (CE model)

UC model: The intercom microphone is on while this button is held pressed.

CE model: The intercom microphone is on and the engineer line is selected while this button is held pressed.

You can also assign other functions with a menu operation.

2 RET 1 (return video 1) button

Monitors the return video 1 signal from the CCU on the viewfinder screen while this button is held pressed. It functions the same as the RET 1 button on the rear operation panel (page 10).

You can also assign other functions using the menu.

3 Accessory shoe

Used to attach an accessory using a 1/4-inch screw.

4 Viewfinder shoe

Mounts a viewfinder.

For details about mounting, see "Attaching a Viewfinder" on page 13.

5 Lens cable clamp

Secures the cable of the lens (optional).

6 Lens mount cap

The cap can be removed by moving the lens fixing lever upward.

Always keep the lens mount covered with this cap when a lens is not attached.

7 Lens fixing lever

Move the lever down to secure the lens in the lens mount.

See "Attaching a Lens" on page 13.

8 Viewfinder front-rear position lock lever

The viewfinder position can be adjusted forward or backward when the lock is released by the lever.

See "To adjust the viewfinder front-rear position" on page 13.

9 Assignable buttons

You can assign a function to the upper button using ASSIGNABLE 1 and the lower button using ASSIGNABLE 2 on the <SWITCH ASSIGN1> page of the OPERATION menu.

10 GAIN switch

Selects the gain of the video amplifier based on lighting conditions when the camera is used in standalone status (without connection to a CCU). Factory default values are L = 0 dB, M = 6 dB, and H = 12 dB.

11 AUTO KNEE and output signal selection switch

Selects the signal (color-bar signal or camera video signal) for output to a VTR, the viewfinder, or a video monitor when the camera is used in standalone status (without connection to a CCU).

The auto knee function can be used when the camera video signal is selected for output.

BARS/OFF: Outputs a color-bar signal.

CAM/OFF: Outputs the camera video signal. The auto knee circuit is disabled.

CAM/ON: Outputs the camera video signal. The auto knee circuit is enabled.

12 WHITE BAL (white balance memory selection) switch

Selects the white balance adjustment method or the memory used to store the adjusted value when the camera is used in standalone status (without connection to a CCU).

PRST (preset memory): White balance is adjusted to a preset value corresponding to a color temperature of 3200K.

A: Selects memory A.

B: Selects memory B.

Note

When a CCU or an external control device, such as an RCP/RM or MSU, is connected, the functions of 10 to 12 are controlled from the external device, and the controls on the camera are disabled.

13 DISPLAY/MENU switch

Selects the display on the viewfinder screen.

DISPLAY: Displays various textual information and markers, such as messages showing the camera settings and operating status, center marker, and safety zone marker, in addition to the camera image.

OFF: Displays the image only.

MENU: Displays menus for camera settings, in addition to the camera image.

The switch functions the same as the DISPLAY/MENU switch on the rear operation panel.

14 STATUS/CANCEL switch

STATUS: Displays camera status information when the DISPLAY/MENU switch is set to DISPLAY (not displaying the menu).

CANCEL: Cancels changed settings and returns the display to the previous menu when a menu is displayed in the viewfinder.

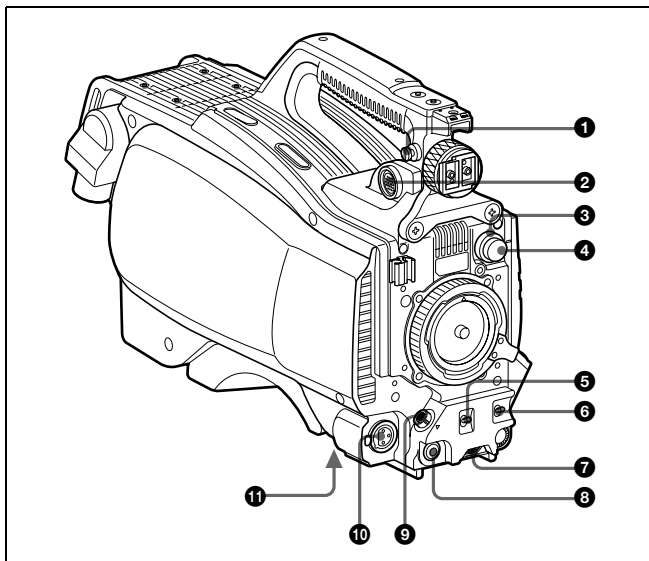
15 Menu control knob (rotary encoder)

Selects settings from menu items displayed on the viewfinder screen (by rotating it) and confirms settings (by pushing it). This knob functions the same as the menu control knob on the rear operation panel.

16 DC power supply output connector (2-pin)

Supplies up to 2.5 A current (10.5 V to 17 V DC) to an external device.

Front Left



1 Shoulder strap fitting post

Attach one end of a shoulder strap (optional, part No. A-6772-374-C) to this fitting post and the other end to the fitting post on the other side of the camera.

2 VF (viewfinder) connector (20-pin)

Connects to the cable of the viewfinder (optional).

3 CC filter select knob (HSC300RF/HSC300R only)

Selects the built-in CC filters (A: cross, B: 3200K, C: 4300K, D: 6300K).

4 ND filter select knob

Selects the built-in ND filters (1: clear, 2: 1/4 ND, 3: 1/16 ND, 4: 1/64 ND).

5 SHUTTER switch

When the camera is used in standalone status (without connection to a CCU), use this switch to turn the electronic shutter ON or OFF and to change (SEL) the shutter speed and shutter mode.

For details, see "Setting the Electronic Shutter" on page 18.

6 AUTO W/B BAL (white and black balance automatic adjustment) switch

Automatically adjusts white and black balance when the camera is used in standalone status (without connection to a CCU).

WHT: Automatically adjusts white balance.

BLK: Automatically adjusts black balance.

For details, see "Adjusting the Black Balance and White Balance" on page 16.

7 INTERCOM LEVEL knob

Adjusts the intercom/earphone volume level.

The intercom level adjustment is enabled when the LEVEL/MIC switch on the rear operation panel is set to "FRONT."

8 RET (return video) button

When this button is pressed, the picture on the viewfinder changes to the return video signal selected with the RET 2/3/4 select switch (page 10) on the rear operation panel.

You can also assign other functions to this button using the menu in the viewfinder.

9 LENS connector (12-pin)

Connects to the lens cable. The camera can control the lens functions through this cable.

10 MIC 1 IN (microphone 1 input) connector (XLR 3-pin)

Connects to a microphone.

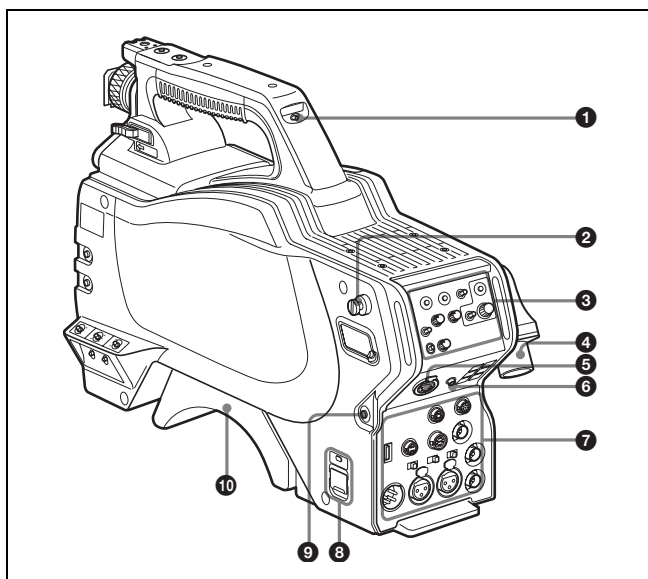
This connector and the AUDIO IN CH1 connector are alternately activated with the MIC 1 select switch on the rear connector panel.

11 Tripod mount (bottom)

Attaches to a VCT-14 Tripod Adapter when mounting the camera on a tripod.

For details, see "Mounting the Camera to a Tripod" on page 15.

Rear



1 Tally lamp and switch

ON: The tally lamp lights when a tally signal is input to the connected CCU or a call signal is generated in response to pressing of a CALL button.

OFF: The tally lamp is disabled.

2 Shoulder strap fitting post

3 Operation panel (see "Operation Panel")

4 Camera control unit (CCU) connector (optical fiber/triax connector)

Connects to a HSCU300RF/HSCU300R camera control unit using an optical fiber cable or a triax cable.

5 INTERCOM connector (XLR 5-pin)

Connects to an XLR 5-pin headset for input and output of intercom audio signals.

6 EARPHONE jack (stereo minijack)

Connects to an earphone for output of the intercom audio.

7 Connector panel (see Connector Panel (page 11))

8 CAMERA POWER switch and indicator

CCU: Operates the power supply from the camera control unit.

EXT: Operates the power supply from the DC IN connector.

The indicator is lit in green during operation.

It is lit in red while standby power is being supplied from the CCU, even if the switch is set to OFF.

Note

When a CCU is connected, external power supply (EXT) cannot be used.

9 CALL button

When pressed, the red tally lamp of the connected external control device (RCP/RM, MSU, etc.) will light. Use to call the operator of the external control device.

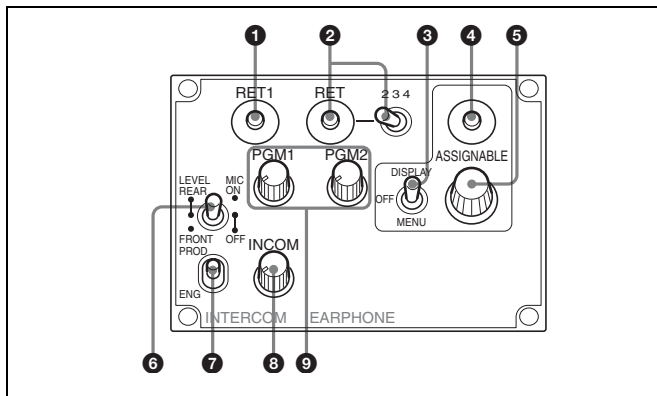
10 Shoulder pad

You can adjust the position forward or backward.

For details, see "Adjusting the Shoulder Pad Position" on page 16.

Operation Panel

UC type: Model for NTSC areas



1 RET 1 (return video 1) button

The return video signal is displayed on the viewfinder screen while the button is held pressed.

2 RET (return video) button and 2/3/4 (return video 2/3/4) select switch

When other return video systems are used in addition to return video 1, the signal selected with the 2/3/4 switch is displayed on the viewfinder screen while holding the RET button pressed.

Note

The RET 1 button has priority over the RET (2/3/4) button if both buttons are pressed.

3 DISPLAY/MENU switch

This switch functions the same as the DISPLAY/MENU switch on the front (page 8).

4 ASSIGNABLE button

You can assign a function with ASSIGNABLE REAR on the <SWITCH ASSIGN1> page of the OPERATION menu.

5 Menu control knob (rotary encoder)

This knob functions the same as the menu control knob on the front (page 9).

6 LEVEL/MIC (intercom level control/microphone) switch

To determine whether to use the INTERCOM LEVEL knob (page 9) on the front and to turn the intercom headset microphone ON/OFF.

Switch position	INTERCOM LEVEL knob on the front	Headset microphone
REAR/ON	Inactive	ON
REAR/OFF		OFF
FRONT/OFF	Active	

7 Line select switch

To select the intercom line:

PROD: Producer line

ENG: Engineer line

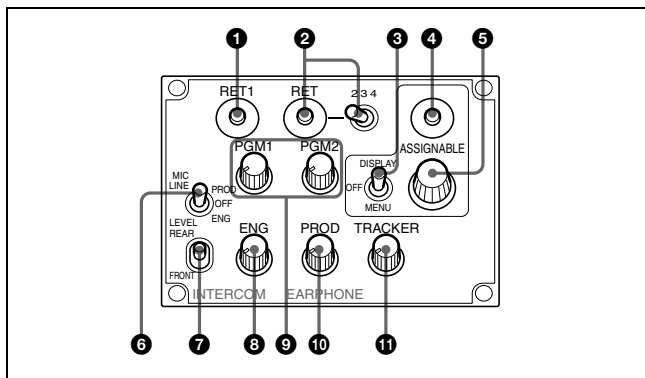
8 INCOM (intercom) level knob

To adjust the intercom audio listening level.

9 PGM1 (program 1) and PGM2 (program 2) knobs

To adjust the audio listening level of program 1 or program 2, respectively.

CE type: Models for PAL areas



1 to 5 are the same as those of the UC type.

6 MIC LINE (intercom microphone line) switch

To select the talk line for intercom:

PROD: To talk over the producer line

OFF: To turn off the headset microphone for the intercom line

ENG: To talk over the engineer line

7 LEVEL switch

REAR: The intercom audio listening level is adjusted with the ENG or PROD knob on this panel.

FRONT: The levels adjusted on the rear panel can be totally adjusted with the INTERCOM LEVEL knob on the front.

8 ENG (engineer line) knob

To adjust the intercom audio listening level of the engineer line.

9 PGM1 (program 1) and PGM2 (program 2) knobs

To adjust the audio listening level of program 1 or program 2, respectively.

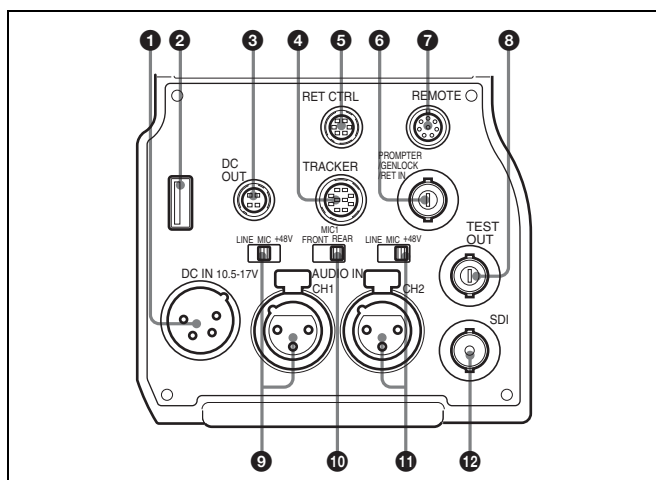
10 PROD (producer line) knob

To adjust the intercom audio listening level of the producer line.

11 TRACKER knob

To adjust the intercom audio listening level at the TRACKER connector on the connector panel.

Connector Panel



1 DC IN (DC power supply input) connector (XLR 4-pin)

Connects to an AC-DN10 AC Adapter, etc. to supply power to the camera. (When a CCU is connected, this connector cannot be used.)

2 USB connector (for USB drive)

Connects to a USB drive to save and load the settings data file.

3 DC OUT (DC power supply output) connector (4-pin)

Supplies power to a script light or equivalent (10.5 to 17 V DC, max. 0.5 A).

4 TRACKER connector (10-pin)

For external interfaces, such as intercom and tally.

5 RET CTRL (return control) connector (6-pin)

Connects to a CAC-6 Return Video Selector.

6 PROMPTER/GENLOCK/RET IN (prompter signal output/external sync signal input/VBS return input) connector (BNC type)

- When a CCU is connected, this connector outputs a VBS prompter 1 signal.
- When the camera is used in standalone status (without connection to a CCU), use this connector to input an external sync signal (BB or 3-level sync). If a VBS signal is input, you can check the input image by pressing the RET button.

Notes

- Even when a BB signal is used for the external sync signal, a subcarrier phase-lock function is not available on the VBS output signal.
- PROMPTER is set to PWR SAVE by factory default, so a prompter signal is not output. To activate it, set it to "ACTIVE" on the POWER SAVE page of the MAINTENANCE menu.

7 REMOTE connector (8-pin)

Connects to an RM-B170/B750 Remote Control Unit, RCP-1000-series Remote Control Panel, or MSU-1000/1500 Master Setup Unit.

Note

When a CCU is connected, this connector functions as the trunk signal input/output. Do not connect any external control device to this connector.

8 TEST OUT connector (BNC type)

Outputs an analog signal.

This supplies a VBS signal, a VBS prompter 2 signal (HSC300R only), an HD-Y signal the same as the signal output from the VF connector, an HD-SYNC signal, or an SD-SYNC signal, depending on which is enabled in the menu.

Note

A subcarrier phase-lock function is not available for external sync signals on the VBS output signal.

9 AUDIO IN CH1 connector (XLR 3-pin) and input select switch

Selects the audio signal for channel 1. Set the input select switch to match the connected device.

LINE: When a line-level (0 dBu) signal source is connected

MIC: When a microphone is connected

+48V: When supplying +48 V power to the connected microphone

10 MIC 1 (microphone 1) select switch

Selects the microphone for channel 1.

FRONT: When using the microphone connected to the MIC 1 IN connector

REAR: When using the microphone connected to the AUDIO IN CH1 connector

11 AUDIO IN CH2 connector (XLR 3-pin) and input select switch

Selects the audio signal for channel 2. Set the switch in the same manner as for CH1.

12 SDI (serial digital interface) connector (BNC type)

Outputs an HD-SDI or SD-SDI signal.

You can select to output the camera line signal, return signal, VF signal, or SDI prompter signal (HSCU300R connection only) using the menu.

Note

A prompter signal can be output from the camera with format selected on the CCU.

The prompter signal type and output connector varies with the camera and model of CCU.

Camera	Prompter signal (varies with CCU model)	Output connector
HSC300RF/ HSC100RF	VBS × 1ch	PROMPTER/GENLOCK/RET IN
HSC300R	VBS × 2ch	①PROMPTER/GENLOCK/RET IN ②TEST OUT
	HD-SDI/SD-SDI × 1ch	SDI OUT
	VBS-Y × 1ch (Low Latency)	PROMPTER/GENLOCK/RET IN
HSC100R	VBS × 1ch	PROMPTER/GENLOCK/RET IN
	VBS-Y × 1ch (Low Latency)	PROMPTER/GENLOCK/RET IN

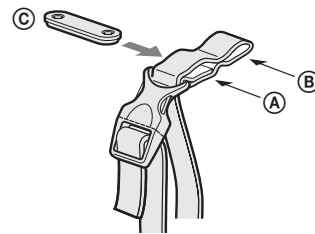
Connection and Setup

Connecting a Camera Control Unit (CCU)

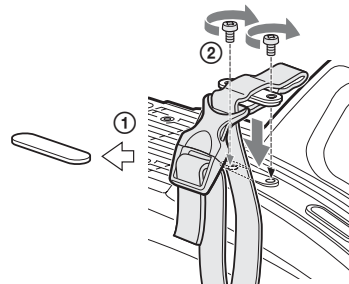
When operating the camera in a system with a CCU, connect the CCU connector of the camera and the CAMERA connector of the CCU using an optical fiber cable or triax cable. Secure the cable, as required, using the supplied cable clamp belt.

To use the cable clamp belt

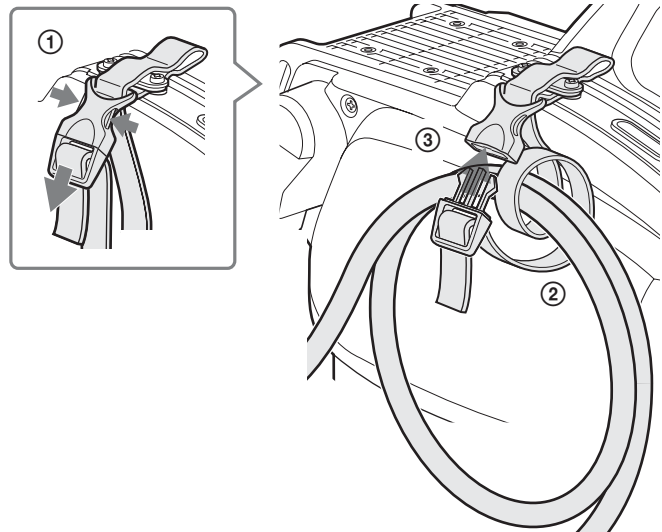
- 1 Insert the belt bracket (C) into hole (A) or (B) of the cable clamp belt.



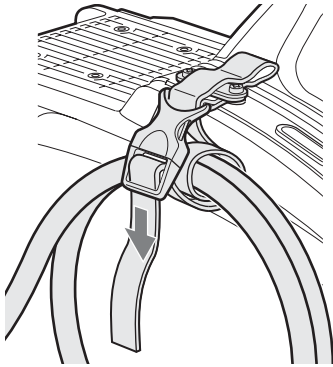
- 2 ① Remove the back screw-hole cover on the top of the camera and ② secure the cable clamp belt to the camera, using the two supplied screws (+B3 × 10).



- 3 ① Release the buckle, ② bundle the cable with the belt, ③ then lock the buckle again.

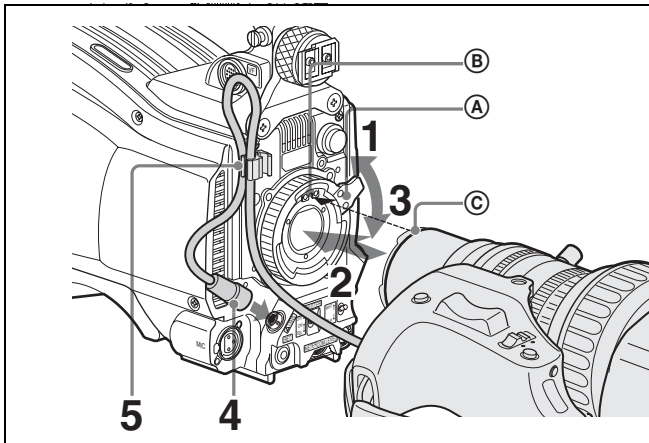


- 4** Adjust the length by pulling down the end of the belt.



Attaching a Lens

For information on handling lenses, refer to the operation manual for the particular lens.



- 1** Push the lens fixing lever **A** upward and remove the lens mount cap from the lens mount.
- 2** Align the lens alignment pin **C** with the notch **B** in the upper part of the lens mount and insert the lens into the mount.
- 3** While supporting the lens, push the lens fixing lever **A** downward to secure the lens.
- 4** Connect the lens cable to the LENS connector.
- 5** Secure the lens cable with the cable clamp.

To use a large studio-use lens

HSC300RF/HSC300R: A large studio-use lens can be used by mounting the camera on an optional HDLA1500-series Large Lens Adapter.

Note

When attaching the camera hangers to the camera, always use the screws (+B4 × 10) supplied with the lens adapter.

For details, refer to the operation manual supplied with the HDLA1500-series adapter.

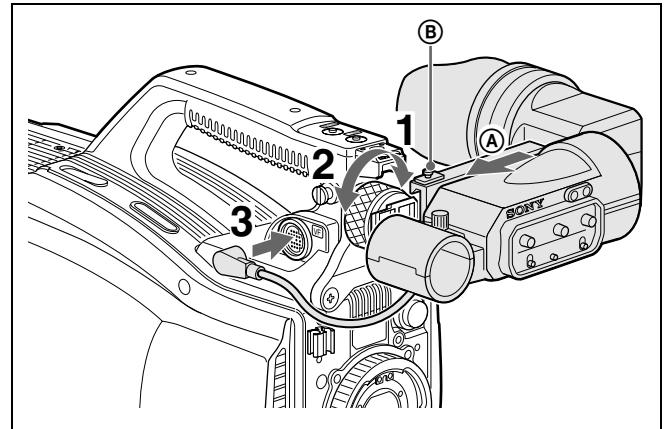
Attaching a Viewfinder

Caution

When the viewfinder is attached, do not leave the camera with the eyepiece facing the sun. Direct sunlight can enter through the eyepiece, be focused in the viewfinder, and cause a fire.

Example: Attaching an HDVF-200 Viewfinder

For details on the viewfinder, refer to the operation manual for the viewfinder.

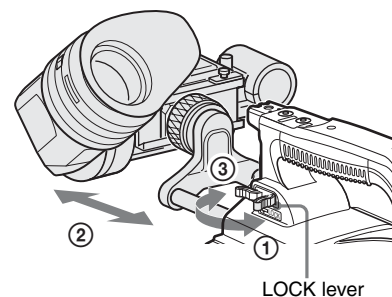


- 1** Loosen the viewfinder left-right positioning ring and slide the viewfinder in the direction of arrow **A**. The viewfinder stopper **B** automatically pops down.
- 2** Tighten the viewfinder left-right positioning ring to secure the viewfinder at the most convenient position.
- 3** Connect the viewfinder cable to the VF connector.

To adjust the viewfinder front-rear position

The viewfinder can slide in the range of 53 mm ($2 \frac{1}{8}$ inches). Adjust the front-rear position so that you can easily operate it on your shoulder.

① Pull the LOCK lever backward and ② slide the viewfinder backward or forward. Adjust the viewfinder front-rear position and ③ lock it by returning the lever forward to the original position.



To detach the viewfinder

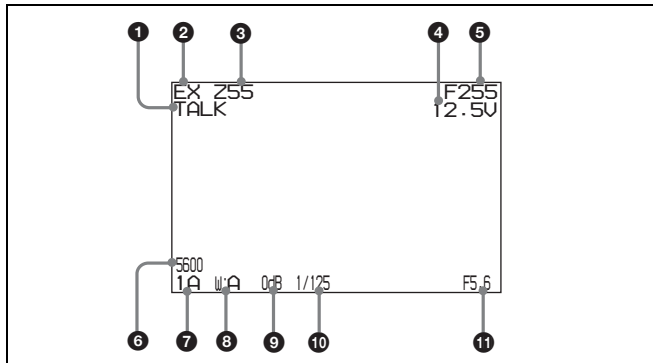
Loosen the viewfinder left-right positioning ring, pull the viewfinder stopper, then pull out the viewfinder by sliding it in the direction opposite to that when attached.

Status displays in the viewfinder

Besides the video image, the viewfinder can display characters and messages showing the camera settings and operation status, as well as items such as a center marker or safety-zone marker.

When the DISPLAY/MENU switch is set to DISPLAY

Items set to ON using the menu or related switches will be displayed.



1 TALK indicator

Displayed when the intercom microphone is set to ON.

2 EX (lens extender) indicator

Displayed when using a lens extender.

3 Zoom position indicator

Indicates the approximate position of the zoom lens variator between wide angle (0) and telephoto (99).

4 Battery voltage indicator

When the CAMERA POWER switch is set to EXT, the DC IN voltage is displayed. When the switch is set to CCU, the internal voltage of the camera is displayed.

5 Focus position indicator

Shows the focus position of a zoom lens as a numeric value (0 to 255 [infinity]).

6 5600K mode indicator

Displayed when the internal electric filter (5600K) is set to ON.

7 Filter indicator

Displays the types of filters currently selected. The number (1, 2, 3, or 4) indicates the ND filter, and the letter (A, B, C, or D) indicates the CC filter (HSC300RF/HSC300R only).

8 White balance memory indicator

Shows the currently selected white balance automatic adjustment memory. This is not displayed when a CCU is connected.

W:A: The WHITE BAL switch is set to A.

W:B: The WHITE BAL switch is set to B.

W:P: The WHITE BAL switch is set to PRST.

9 Gain value indicator

Shows the video gain value (dB) set with the GAIN switch.

10 Shutter/ECS indicator

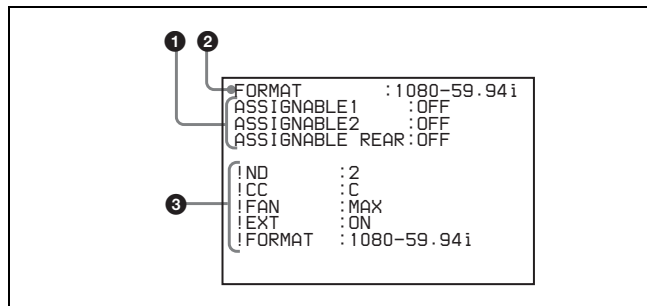
Displays the shutter/ECS status. Nothing is displayed if the shutter is set to OFF.

11 F-stop value indicator

Displays the lens f-stop value (iris value).

When the STATUS/CANCEL switch is set to STATUS

The status display changes to show the following items:



1 Assignable button function display

Displays the functions assigned to the assignable buttons.

For details about the functions that can be assigned, see OPERATION menu <SWITCH ASSIGN> on page 33.

2 Format display

Displays the current video format.

3 '! display area

Displays non-standard conditions using the '! IND function. The display options can be set using the menu. ("!CC" display on HSC300RF/HSC300R only)

For details, see OPERATION menu <'! IND> on page 24.

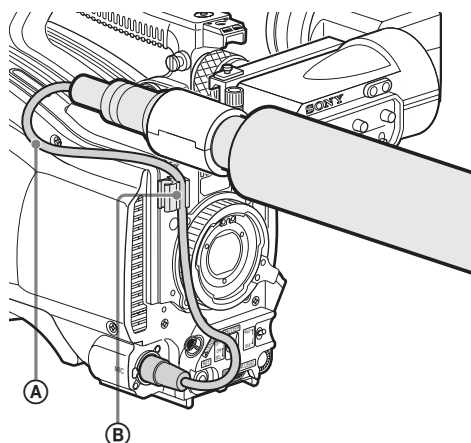
Attaching a Microphone

A microphone can be attached to the camera, using the microphone holder of the viewfinder or an optional CAC-12 Microphone Holder.

For details about attaching to the microphone holder of the viewfinder, refer to the instruction manual for the viewfinder.

When the microphone is attached to the microphone holder of the viewfinder

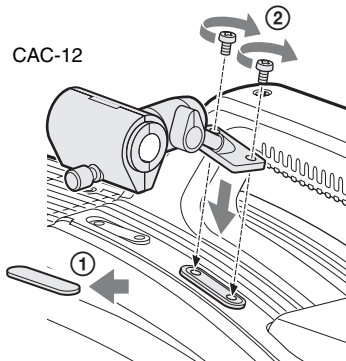
Secure the microphone cable (A) to the cable clamp (B) of the camera.



To attach a microphone using a CAC-12

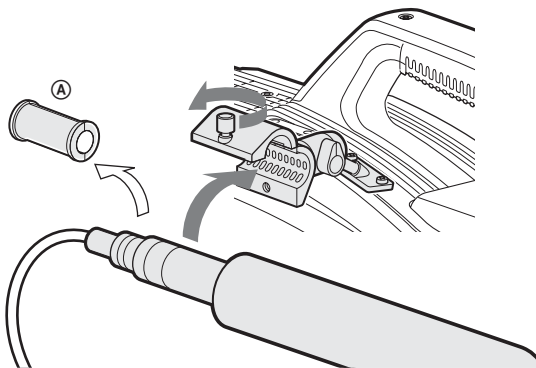
When attaching a long-type microphone, such as an ECM-674/678, use an optional CAC-12 Microphone Holder.

- 1 ① Remove the front screw-hole cover on the top then
② fix the CAC-12 in place with the two screws (+B4 x 8) supplied with the CAC-12.



- 2 Loosen the screw to open the CAC-12 and attach the microphone.

If the microphone diameter is small, attach the adapter (A) (supplied with the CAC-12 or the microphone) to the microphone.

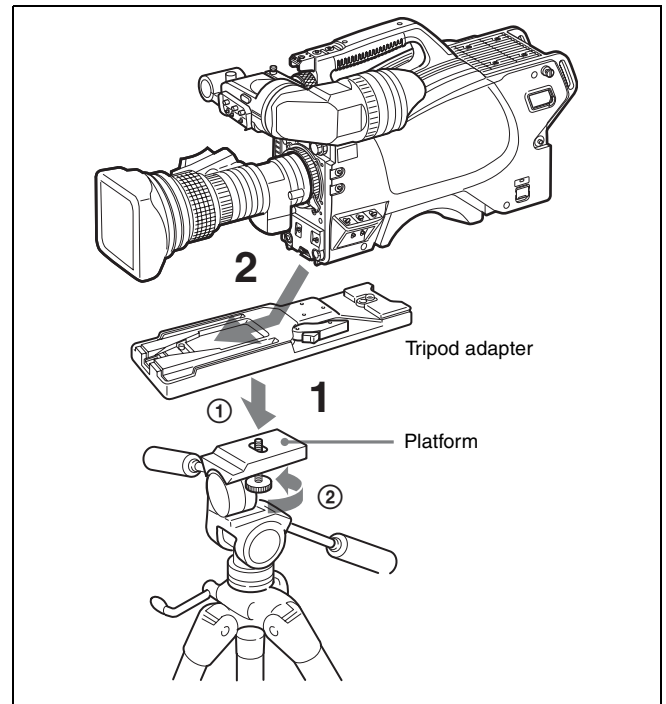


Mounting the Camera to a Tripod

Mount the camera to a tripod, using an optional VCT-14 Tripod Adapter.

Notes

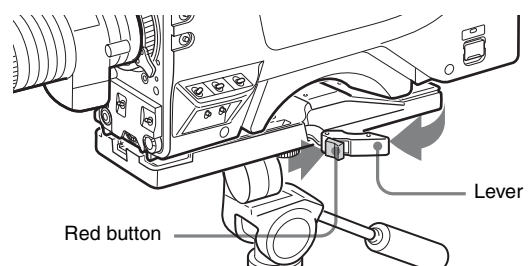
- Select an appropriate hole from among those at the bottom of the tripod adapter considering the balance of the weight of the camera and the tripod adapter. If an inappropriate hole is selected, the camera may fall over.
- Check that the size of the selected hole matches that of the screw of the tripod. If they do not match, the tripod adapter cannot be attached to the tripod securely.



- 1 ① Attach the tripod adapter to the tripod and ② secure it with the screw.
- 2 Place the camera on the tripod adapter and slide forward it along the groove of the tripod adapter until it clicks.
- 3 Move the camera backward and forward and check that the camera does not come off.

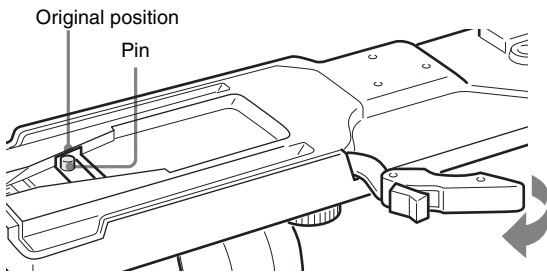
To remove the camera from the tripod adapter

Hold down the red button and pull the lever in the direction of the arrow.



If the pin of the tripod adapter does not return to its original position

After removing the camera, if the pin of the tripod adapter does not return to its original position, hold down the red button and move the lever in the direction of the arrow to return the pin to its original position. It is not possible to mount a camera with the pin not seated.

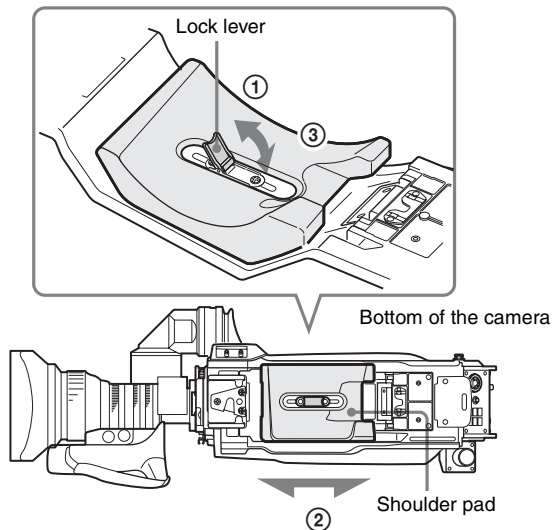


Adjusting the Shoulder Pad Position

You can shift the shoulder pad in the range of 28 mm (1 1/8 inches). This adjustment helps you get the best balance for shooting with the camera on your shoulder.

To adjust

① Raise the lever in the center of the shoulder pad to unlock the shoulder pad, ② slide the shoulder pad backward or forward until it is in the most convenient position, and ③ move the lever down to lock the shoulder pad in the selected position.



Adjustments/Settings

Adjusting the Black Balance and White Balance

In order to maintain high picture quality when using the camera, it is necessary to set the black balance and white balance appropriately for the conditions.

Note

When a CCU, RCP/RM, MSU or other external device is connected, the camera is controlled from the external control device, and the switches on the camera are disabled.

Black balance adjustment

The black balance needs adjustment in situations like the following:

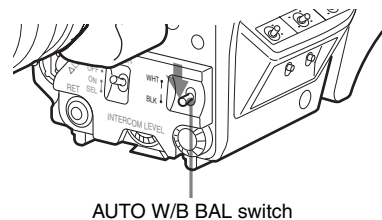
- The first time the camera is used
 - When the camera is used after a long period of disuse
 - When the surrounding temperature changes greatly
 - When the gain value is changed using the setup menus
- Normally, there is no need to adjust the black balance every time the camera is turned on.

White balance adjustment

Always adjust the white balance when lighting conditions change.

To adjust the black balance

Push the AUTO W/B BAL switch to BLK.



Automatic black balance adjustment begins.

In automatic adjustment of black balance, both the black set and black balance are adjusted.

During adjustment, the message "ABB: EXECUTING" will be displayed on the viewfinder screen.

When the adjustment process is completed, the message "ABB: OK" will be displayed. The adjusted value is automatically stored in memory.

The black balance values stored in memory will be preserved even when the camera power is turned off.

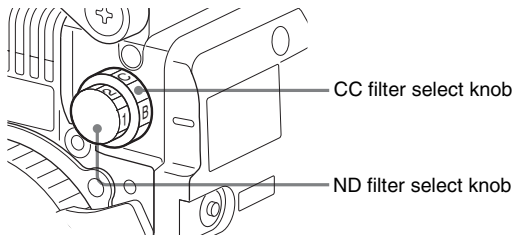
Notes

- During black balance adjustment, the iris will be automatically closed.
- During black balance adjustment, the gain switching circuit will work automatically, and the viewfinder screen will flicker several times. This is not a malfunction.

To adjust the white balance

1 Select the built-in filters according to the lighting conditions with the filter select knobs.

- HSC300RF/HSC300R

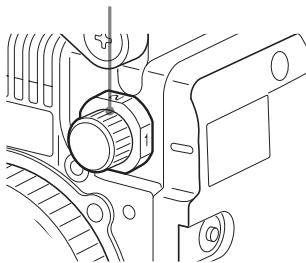


ND filter		CC (color temperature conversion) filter	
1	Clear	A	Cross filter
2	1/4 ND	B	3200K (clear)
3	1/16 ND	C	4300K
4	1/64 ND	D	6300K

- HSC100RF/HSC100R

(1: clear, 2: 1/4 ND, 3: 1/16 ND, 4: 1/64 ND)

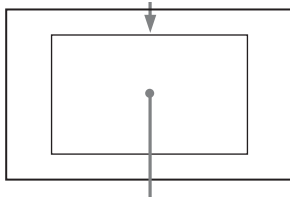
Filter select knob



2 Place a white pattern, as shown below, with the same lighting conditions as the subject, and zoom in on it.

A white object (white cloth, a white wall, etc.) near the subject may be used in place of a white pattern.

A rectangle centered in the screen:
The length of the sides must be at least 70% of the height and width of the screen.



Within this rectangle, there must be an area of white greater than 10% of the entire screen.

Note

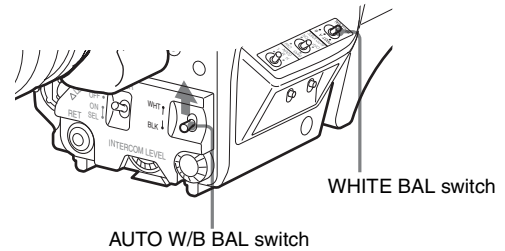
Be careful not to have any spots of high illumination in the rectangle.

3 Adjust the lens iris opening.

With a manually adjusted lens: Set the opening to an appropriate value.

With a lens which has automatic iris control: Set the lens automatic/manual iris control switch to automatic.

4 Select white balance memory A or B with the WHITE BAL switch and set the AUTO W/B BAL switch to WHT.



Automatic white balance adjustment begins.

During adjustment, the message "AWB: EXECUTING" will be displayed on the viewfinder screen.

After about one second, the message "AWB: OK" will be displayed, and the adjustment process will complete. The adjusted value will be automatically stored in the selected memory (A or B).

Note

When using a zoom lens with automatic iris control capability, hunting¹⁾ may occur. Adjust the lens iris gain control (labeled IG, IS, S, etc.).

1) Hunting: The automatic iris responds over and over, and the image repeatedly darkens and lightens.

For more information, refer to the operation manual for the lens.

About white balance memory

There are two white balance memories: A and B. When you execute automatic white balance adjustment, the adjusted white balance value and the settings of the filter select knobs will be stored in either memory A or B, selected with the WHITE BAL switch.

The white balance values stored in memory will be preserved even when power is turned off.

When power is turned on again, the white balance in memory corresponding to the current WHITE BAL switch setting is retrieved.

By setting FILTER WHT MEM to ON on the <OTHERS 2> page of the MAINTENANCE menu, you can store a white balance value for each of the built-in CC filters in memory A and B individually. In this case, a total of 8 white balance values can be stored as the camera has four CC filters. The settings of the filter select knobs are not stored when you adjust white balance with FILTER WHT MEM set to ON. In this case, the white balance in memory corresponding to the current WHITE BAL switch and CC filter select knob settings is retrieved when power is turned on again.

If automatic black balance or white balance adjustment fails

If the adjustment process does not end successfully, the error message "ABB: NG" or "AWB: NG" will be displayed on the viewfinder screen for approximately three seconds.

If this error message is displayed, try the adjustment again. If the error message continues to be displayed after several attempts, the camera requires internal inspection.

Setting the Electronic Shutter

This section explains the different modes which can be used for the electronic shutter and gives the procedures for setting the shutter mode and shutter speed.

Note

When a CCU, RCP/RM, MSU or other external device is connected, the camera is controlled from the external control device, and the switches on the camera are disabled.

About shutter modes

The shutter modes that can be used with the electronic shutter of the camera and the shutter speeds that may be selected are as follows.

Shutter mode	Shutter speed ¹⁾	Usage
Standard	1/100, 1/125, 1/250, 1/500, 1/1000, 1/2000 seconds	Use to obtain clear images of quickly moving subjects
ECS (Extended Clear Scan)	Variable over range 60.0 Hz to 4300 Hz	Use to obtain images of video monitors without horizontal striping

1) The values in the table are for 59.94i format. With other formats, the available values may be different.

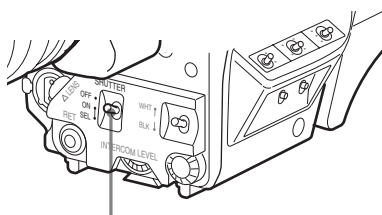
Note

With artificial lighting, particularly fluorescent lights and mercury vapor lamps, the brightness appears to be constant, but in fact the strength of the red, green, and blue components varies with the power supply frequency. This phenomenon is known as "flicker." When using the electronic shutter under these lighting conditions, there are certain cases in which the flicker is more noticeable. In particular, color flicker is evident when the power frequency is 50 Hz, setting the shutter speed to 1/100 second will reduce the flicker.

Selecting the shutter mode and speed

The shutter mode (Standard mode or ECS mode) and the shutter speed in Standard mode are set using the SHUTTER switch.

- 1 Push the SHUTTER switch from the ON position to the SEL position.



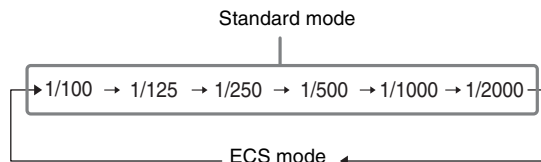
SHUTTER switch

The current shutter setting will be displayed in the viewfinder for about three seconds.

Example: "Shutter: 1/250"

- 2 Push the SHUTTER switch to the SEL position again before the display disappears. Repeat this action until the desired mode or speed is displayed.

Example: 59.94i format

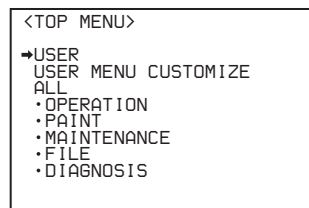


Setting the Time

When using the camera for the first time, set the built-in clock to the local time, using the <DATE> page of the MAINTENANCE menu displayed on the viewfinder screen.

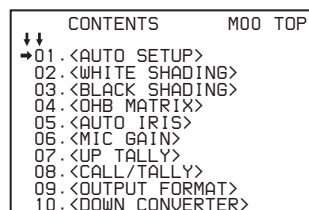
For details about menu operations, see "Menus" on page 22.

- 1 Turn on the camera.
- 2 Set the DISPLAY/MENU switch to MENU while holding the menu control knob pressed. The camera enters menu mode, and "TOP" is displayed at the upper right corner of the screen.
- 3 Rotate the menu control knob to align the pointer to "TOP" and push on the knob. The TOP MENU screen is displayed.



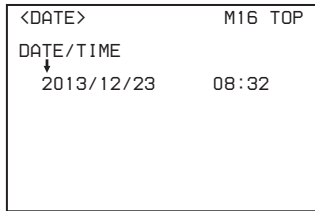
- 4 Rotate the menu control knob to position the cursor to MAINTENANCE and push on the menu control knob.

The CONTENTS page of the MAINTENANCE menu is displayed.



- 5 Turn the menu control knob to scroll the page and position the pointer to <DATE> then push on the menu control knob.

The <DATE> page is displayed.



- 6 Turn the menu control knob and set the date and time.**
Push on the menu control knob to shift to the next digit.
- 7 To finish the adjustments, set the DISPLAY/MENU switch to OFF to exit menu mode.**

Adjusting the Lens (Flange Back)

Adjustment of the flange back focal distance (the distance between the lens mount attachment plane and the imaging plane) is necessary in the following situations:

- The first time a lens is attached
- When changing lenses
- If the focus is not sharp at both telephoto and wide angle when zooming

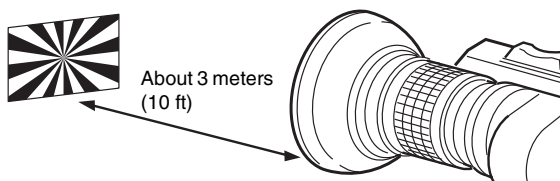
The flange back focal distance can be more precisely adjusted by using the focus assist indicators.

For details about focus assist indicators, see “Displaying the focus assist indicators” on page 20.

Note

The various parts of the lens used in adjusting the flange back focal distance vary depending on the lens. Refer to the operation manual for the lens.

- 1 Set the iris control to manual and open the iris fully.**
- 2 Place a flange back adjustment chart approximately 3 meters (10 ft.) from the camera and adjust the lighting to get an appropriate video output level.**



- 3 Loosen the Ff (flange focal length) ring lock screw.**
- 4 With either manual or power zoom, set the zoom ring to telephoto.**
- 5 Aim at the flange back adjustment chart and turn the focus ring to focus the image.**
- 6 Set the zoom ring to wide angle.**
- 7 Turn the Ff ring to bring the flange back chart into focus.**
Take care not to move the distance ring.

- 8 Repeat steps 4 through 7 until the image is in focus at both telephoto and wide angle.**
- 9 Tighten the Ff ring lock screw.**

Setting the Focus Assist Function

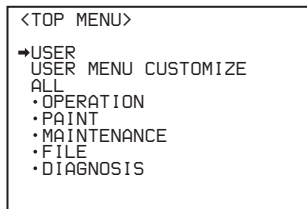
Using the OPERATION menu, the assist functions for easier focusing on the viewfinder screen can be activated.

Adding a VF detail signal

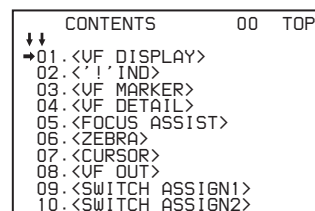
Adding a VF detail signal to sharp edges in the image on the viewfinder screen makes it easier to check the focusing condition by observing changes in the detail signal or in the color converted from the detail signal (color detail).

The focus setting where the detail signal becomes strongest is the best focus setting.

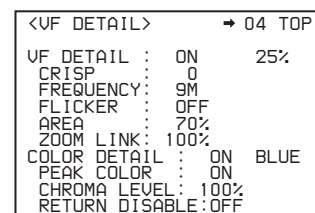
- 1 Turn on the camera.**
- 2 Set the DISPLAY/MENU switch to MENU while holding the menu control knob pressed.**
The camera enters menu mode, and “TOP” is displayed at the upper right corner of the screen.
- 3 Rotate the menu control knob to align the pointer to “TOP” and push on the knob.**
The TOP MENU screen is displayed.



- 4 Rotate the menu control knob to align the pointer to OPERATION and push on the knob.**
The CONTENTS page of the OPERATION menu is displayed.



- 5 Rotate the menu control knob to align the pointer to <VF DETAIL> and push on the knob.**
The <VF DETAIL> page is displayed.



6 Rotate the menu control knob to align the pointer to the item to be set and push on the knob.

To use the VF detail signal

Set VF DETAIL to ON to activate the VF detail function to add the detail signal to sharp edges in the image. You can adjust the signal level (strength) in the range of 0 to 100% (default 25%).

You can adjust the characteristics of the detail signal with the menu items below:

CRISP: Adjust to eliminate fine portions of the detail signal.

FREQUENCY: Change the detection band of sharp edges.

FLICKER: Turn the function ON/OFF to flicker the detail signal, which makes it easier to check the signal on a CRT screen.

AREA: To limit the area where to display the detail signal.

ZOOM LINK: Set the VF detail level at the full WIDE position. (The VF detail level changes according to the zoom position.)

To use the color detail

Set COLOR DETAIL to ON to convert the VF detail signal to a specified color. This makes it easier to check the signal on an LCD screen, including the viewfinder screen. The display color can be selected at the column next to ON.

You can adjust the coloring with the menu items below:

PEAK COLOR: Turn the function ON/OFF to change the color where the detail signal is strongest.

CHROMA LEVEL: To reduce the chroma components of the video signal (only for video signals on the viewfinder).

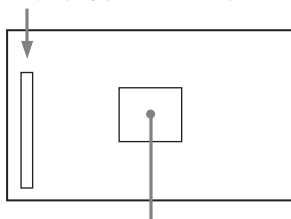
7 Rotate the menu control knob to display the desired setting and push on the knob.

8 To finish the adjustments, set the DISPLAY/MENU switch to OFF to exit menu mode.

Displaying the focus assist indicators

The focus assist indicator function extracts the irregularities of a subject and converts the integrated values to a level indicator, which shows the focus condition.

Level indicator (display position and operation can be adjusted)



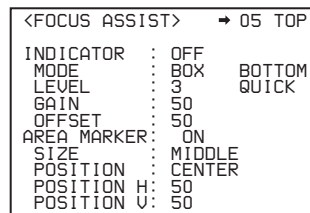
Area marker to display the detection area of the focus (size and position can be adjusted)

The focus setting where the indicator shows the maximum level is the best focus setting. (The range of the indicator substantially changes depending on picture elements or shooting environments. Adjust it with GAIN and OFFSET as required.)

1 Display the CONTENTS page of the OPERATION menu (referring to step 1 to 4 in “Adding a VF detail signal”).

2 Rotate the menu control knob to align the pointer to <FOCUS ASSIST> and push on the menu control knob.

The <FOCUS ASSIST> page is displayed.



3 Rotate the menu control knob to align the pointer to the item to be set and push on the knob.

To use the level indicator

Setting INDICATOR to ON displays the level indicator on the viewfinder. You can set the display format with the menu items below.

MODE: Set the type and position of the indicator.

LEVEL: Set the density and the response speed of the indicator.

GAIN: Set the sensitivity of the indicator.¹⁾

OFFSET: Set the offset of the focus detection value.²⁾

1) Normally, the sensitivity of the indicator is automatically set to the optimum value in conjunction with the AREA MARKER SIZE set value. Use this setting when an optimum sensitivity value cannot be obtained, depending on the shooting environment.

2) Normally, the optimum offset is automatically set in conjunction with the AREA MARKER SIZE and MASTER GAIN set values. Use this setting when the optimum offset cannot be obtained, depending on the shooting environment.

To use the area marker

Setting AREA MARKER to ON displays the detection area of the focus as a marker on the viewfinder screen.

You can set the size and position of the detection area with the menu items below.

SIZE: The size of the detection area can be changed. (If the area size is too large, both the subject and the background are included in the area, making the indicator display easily deviate from the subject.)

POSITION: Roughly set the position of the detection area.

POSITION H: Finely adjust the position of the detection area in the horizontal directions.

POSITION V: Finely adjust the position of the detection area in the vertical directions.

4 Rotate the menu control knob to display the desired setting and push on the knob.

5 To finish the adjustments, set the DISPLAY/MENU switch to OFF to exit menu mode.

Notes

- The level indicator and the effect area marker cannot be displayed simultaneously. Subsequently, whichever you set to ON is preferentially displayed.

- The area marker and the aspect safety marker cannot be displayed simultaneously. Subsequently, whichever you set to ON is preferentially displayed.
- When displaying the focus assist indicators, check that the flange back has been precisely adjusted.

For details about flange back, see “Adjusting the Lens (Flange Back)” on page 19.

Setting the Camera Outputs

You can specify video signals directly output from the camera, with menu operations.

Note

The MAIN (camera picture), RET (return video), or VF (the same picture as that displayed on the viewfinder screen) settings are common to SD-SDI and VBS. Different signals cannot be output.

The menu pages used for the output settings have been registered to the USER menu at the factory.

- <POWER SAVE>
- <OUTPUT FORMAT>
- <TEST OUT>
- <SDI OUT>

Set the menu items on the above menu pages to the settings shown in the following tables.

For details about menu operations and the USER menu, see “Menus” on page 22.

Outputting the signal being shot (camera picture)

The same textual information as that displayed on the viewfinder screen can be added to the output signal by setting CHARACTER to ON on the <SDI OUT> or <TEST OUT> page.

To output as HD-SDI

Menu page	Item	Setting
<SDI OUT>	SDI OUT	MAIN

To output as SD-SDI

Menu page	Item	Setting
<SDI OUT>	SDI OUT	SD-SDI

To output as VBS

Menu page	Item	Setting
<POWER SAVE>	DOWN CONVERTER	ACTIVE
<TEST OUT>	OUTPUT	VBS

Outputting a constant return video

- When a CCU is connected, one of the signals being supplied to the CCU can be output from the camera.
- The last selected return signal is output.
- The same character information as that displayed on the viewfinder screen can be added to the output signal by setting CHARACTER to ON on the <SDI OUT> or <TEST OUT> page.

To output as HD-SDI

Menu page	Item	Setting
<SDI OUT>	SDI OUT	RET

To output as SD-SDI

Menu page	Item	Setting
<SDI OUT>	SDI OUT	SD-SDI
	DOWN CONVERTER SELECT	RET

To output as VBS

Menu page	Item	Setting
<POWER SAVE>	DOWN CONVERTER	ACTIVE
<TEST OUT>	OUTPUT	VBS
	DOWN CONVERTER SELECT	RET

Outputting the same image as that on the viewfinder screen

- With HD-SDI, you can obtain a signal that includes the same information as that being displayed on the viewfinder screen according to the settings of the VF MARKER, CHARACTER, VF DETAIL, ZEBRA, etc. The ON/OFF or other settings for adding information are common to those for the viewfinder. The output is synchronized with the switching of the Y, R, G, B, or return signal.
- With SD-SDI or VBS, the output is synchronized only with switching between a return signal and the camera image. Switching of Y, R, G, and B is not supported. Also, information other than CHARACTER (such as VF MARKER, VF DETAIL, ZEBRA) cannot be added to the output.

Note

With the settings for outputting the same image as that on the viewfinder, the output will be in 1080i format, even if the format setting is 720P.

To output as HD-SDI

Menu page	Item	Setting
<SDI OUT>	SDI OUT	VF

To output as SD-SDI

Menu page	Item	Setting
<POWER SAVE>	DOWN CONVERTER	ACTIVE
<SDI OUT>	SDI OUT	SD-SDI
	DOWN CONVERTER SELECT	VF

To output as VBS

Menu page	Item	Setting
<POWER SAVE>	DOWN CONVERTER	ACTIVE
<TEST OUT>	OUTPUT	VBS
	DOWN CONVERTER SELECT	VF

Outputting a prompter signal (HSC300R)

There are two types of prompter signals (VBS and SDI) which are selected using a menu of the connected CCU.

In the case of the VBS prompter

Two prompter lines can be used at the same time.

- A VBS signal input to the PROMPTER1 connector on a CCU is output from the PROMPTER/GENLOCK/RET IN connector of this unit.
- A VBS signal input to the PROMPTER2 connector on a CCU is output from the TEST OUT connector of this unit.

To output the prompter 2 signal from the TEST OUT connector

Menu page	Item	Setting
<TEST OUT>	OUTPUT	PROMPTER2

In the case of the SDI prompter

Either HD-SDI or SD-SDI can be input.

- The signal supplied to the SDI RET connector of the CCU is output from the SDI connector of the camera.
- Menus of the CCU are used for switching between SDI RET1 and SDI RET2 of the CCU input connectors, as well as between HD-SDI and SD-SDI.

To output the SDI prompter signal from the SDI connector

Menu page	Item	Setting
<SDI OUT>	SDI OUT	SDI-PROMPTER

Outputting a prompter signal (HSC300RF/HSC100RF/HSC100R)

A VBS signal input to the PROMPTER connector on a CCU is output from the PROMPTER/GENLOCK/RET IN connector of this unit.

Outputting a Trunk Signal

Connects to an external device connected to the TRUNK connector on the CCU to provide a communication path via the CCU between that device and another external device connected to the REMOTE connector on the camera.

To output the trunk signal from the REMOTE connector

Menu page	Item	Setting
<TRUNK>	TRUNK	ON

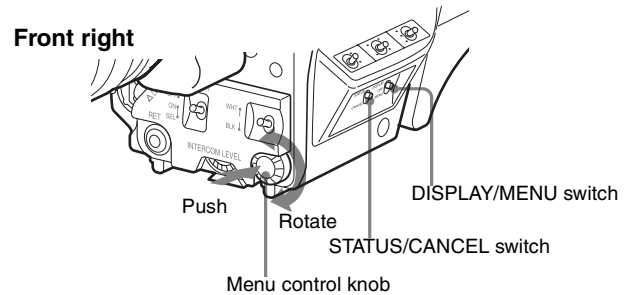
Menus

The menus displayed on the viewfinder screen enable various settings of the camera.

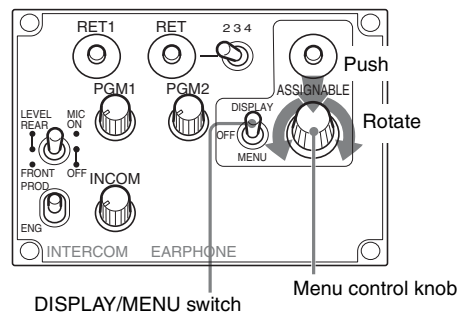
The following controls are used to operate the menus.

To enter menu mode, you can use the DISPLAY/MENU switch either on the side or on the rear operation panel.

The menu control knob at the low on the front panel and that on the rear operation panel function the same. Rotate the knob to select menu items or values and push on it to register (enter) the selection.



Rear operation panel



Displaying Menu Pages

To display a menu page

Set the DISPLAY/MENU switch to MENU.

The menu page last accessed will be displayed. If it is the first time, the CONTENTS page of the USER menu will be displayed.

To display the TOP MENU screen

If you set the DISPLAY/MENU switch to MENU while holding the menu control knob pressed, "TOP" is displayed at the upper right corner of the screen.

Turn the menu control knob to move the pointer (➡) on the display to "TOP" and push on the knob. The TOP MENU screen is displayed, listing the available menus.

<TOP MENU>
→USER
USER MENU CUSTOMIZE
ALL
• OPERATION
• PAINT
• MAINTENANCE
• FILE
• DIAGNOSIS

Menu	Description
USER	This menu includes often-used menu pages selected from among the OPERATION, PAINT, MAINTENANCE, FILE, and DIAGNOSIS menus. Changing, adding, and deleting pages can be performed with the USER MENU CUSTOMIZE menu (page 24).
USER MENU CUSTOMIZE	This menu allows you to edit the USER menu. For details, see "Editing the USER Menu" on page 24.
ALL	This menu permits you to control all items of the OPERATION menu, PAINT menu, MAINTENANCE menu, FILE menu, and DIAGNOSIS menu as a single menu.
OPERATION	This menu contains items for camera operators to operate the camera. It mainly permits viewfinder, intercom, and switch settings.
PAINT	This menu contains items for making detailed image adjustments while using a waveform monitor to monitor the waveforms output from the camera. Support of a video engineer is usually required to use this menu. Although you can also use an external control device to set the items on this menu, the menu is effective when using the camera by itself outdoors.
MAINTENANCE	This menu contains items for performing camera maintenance operations, such as changing the system or setting infrequently used "paint" items.
FILE	This menu is for performing file operations, such as writing or clearing the reference file.
DIAGNOSIS	This menu enables you to confirm the self-diagnostic information.

To disable the "TOP" indication

Turn the power off then on again, or set the DISPLAY/MENU switch to MENU while holding the STATUS/CANCEL switch pressed toward CANCEL. This disables the TOP selection.

Setting the Menu

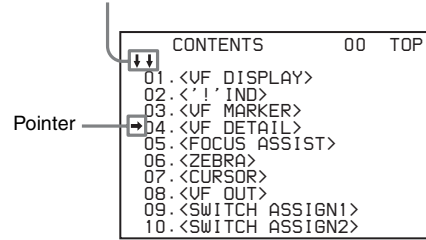
To select a menu on the TOP MENU screen

Rotate the menu control knob to align the pointer with the desired menu indication then push on the knob. The CONTENTS page (page No. 00) or the last accessed page of the selected menu is displayed.

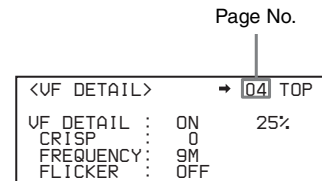
To select a page from a CONTENTS page

Rotate the menu control knob to align the pointer with the desired page indication then push on the menu control knob.

If the screen can be scrolled, arrows will indicate the direction for scrolling.

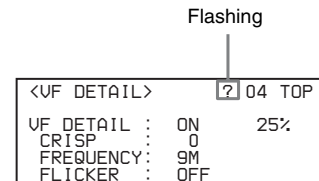


The selected page is displayed.



To change the displayed page

- 1 Check that the pointer is located at the left of the page number then push on the menu control knob. The → arrow changes to a flashing ? question mark.

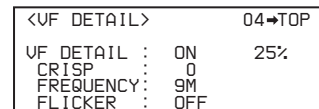


- 2 Rotate the menu control knob to flip through the pages, and push on the knob when the desired page is displayed.

The ? question mark changes back to the → arrow. Items on the page can now be selected and changed.

To return to the TOP MENU screen

Align the pointer with "TOP" at the top right of the menu page then push on the menu control knob.



To change a menu item setting

If a question mark is flashing at the left of the page number, push on the menu control knob to change it to the pointer. Items on the page can now be selected and changed.

- 1 Align the pointer with the desired item, then push on the menu control knob. The → arrow changes to a flashing ? question mark.

2 Rotate the menu control knob to change the setting value.

When the knob is rotated quickly, the values will change quickly; when rotated slowly, the values will change slowly.

To reset a changed value

If you press the STATUS/CANCEL switch toward CANCEL before pushing on the menu control knob, the setting will be returned to its previous value.

To suspend menu changes

Set the DISPLAY/MENU switch to OFF to turn off the menu screen display.

The setting operation can be restarted by setting the DISPLAY/MENU switch back to MENU.

3 Push on the menu control knob.

The ? question mark changes back to the ➡ arrow, and the item setting is registered.

4 To change other setting items on the same menu page, repeat steps 1 through 3.

To enter a character string

When you press the menu control knob with the pointer pointing to an item for which a character string, such as a file ID, is to be specified, a cursor and the list of selectable characters are displayed.

The displayed cursor can be moved by rotating the menu control knob.

1 Set the cursor to the position where you wish enter a character, then push on the menu control knob.

A second cursor is displayed in the character list.

2 Set the cursor to the character to be entered and push on the menu control knob.

Repeat steps 1 and 2 to enter other characters.

- Select INS to insert a space character at the cursor position.
- Select DEL to delete the character at the cursor position.
- Select RET to return to step 1 without changing the string.
- Entering the maximum number of characters (up to the right edge) moves the cursor to ESC on the lower right of the character list.

3 Select END and push on the menu control knob.

The new input string is registered.

To cancel the character string setting

Select ESC and push on the menu control knob.

To return a menu item to its standard value

Select the menu item to be returned to its standard value then hold the menu control knob pressed for 3 seconds while the arrow marker (➡) is displayed.

If "10 SEC CLEAR" has been set to ON on the <FILE CLEAR> page of the FILE menu, you can return the setting in the reference file for the item being selected to the factory-set value by holding the menu control knob pressed for another 10 seconds.

To end menu operations

Set the DISPLAY/MENU switch to OFF.

Editing the USER Menu

You can select desired pages and items from the OPERATION, PAINT, MAINTENANCE, FILE, and DIAGNOSIS menus and register them to the USER menu. If you specify pages or items frequently used for the USER menu, you can easily call and use them.

The following pages are included on the factory-set USER menu:

Menu page	USER menu No.	Source menu/ page No.	
<VF OUT>	U01	OPERATION	08
<VF DETAIL>	U02	OPERATION	04
<FOCUS ASSIST>	U03	OPERATION	05
<VF DISPLAY>	U04	OPERATION	01
<'I' IND>	U05	OPERATION	02
<VF MARKER>	U06	OPERATION	03
<CURSOR>	U07	OPERATION	07
<ZEBRA>	U08	OPERATION	06
<SWITCH ASSIGN1>	U09	OPERATION	09
<SWITCH ASSIGN2>	U10	OPERATION	10
<POWER SAVE>	U11	MAINTENANCE	M12
<HEADSET MIC>	U12	OPERATION	11
<MIC GAIN>	U13	MAINTENANCE	M07
<OUTPUT FORMAT>	U14	MAINTENANCE	M09
<TEST OUT>	U15	MAINTENANCE	M10
<SDI OUT>	U16	MAINTENANCE	M11
<TRUNK>	U17	MAINTENANCE	M13
<ROM VERSION>	U18	DIAGNOSIS	D03

For details about the items on each page, see "OPERATION Menu" on page 30, "MAINTENANCE Menu" on page 39, and "DIAGNOSIS Menu" on page 43.

The USER MENU CUSTOMIZE menu allows you to configure the USER menu as follows:

- Creating a new page with items selected from multiple menu pages
- Adding (registering) a menu page (new page you create or existing menu page) to the USER menu
- Deleting (unregistering) a page from the USER menu
- Changing the order of pages of the USER menu

To edit items

While the EDIT page of the USER MENU CUSTOMIZE contains factory-preset items, the USER 1 EDIT to USER 19 EDIT pages are all blank in their initial state. You can register up to 10 items, including blank lines, on each of these pages.

To add items to a page

1 Select USER MENU CUSTOMIZE on the TOP MENU screen (page 22).

If this is the first time the USER MENU CUSTOMIZE menu has been displayed, the CONTENTS page of the menu appears.

```

CONTENTS      E00 TOP
↓↑
01.EDIT PAGE
02.USER 1 EDIT
→03.USER 2 EDIT
04.USER 3 EDIT
05.USER 4 EDIT
06.USER 5 EDIT
07.USER 6 EDIT
08.USER 7 EDIT
09.USER 8 EDIT
10.USER 9 EDIT
    
```

If the menu has been used before, the page last accessed appears.

2 If the CONTENTS page is displayed, turn the menu control knob until the pointer points to one of USER 1 EDIT to USER 19 EDIT, then push on the menu control knob to select the page.

If a different page is displayed, turn the menu control knob until the desired page screen appears then push on the menu control knob to select the page.

Example: When you select the USER 2 EDIT page

```

USER 2 EDIT  E03 TOP
→
    
```

3 Move the pointer to the item to be added (this operation is unnecessary if no item exists on the page, as shown in the figure for the previous step) then push on the menu control knob.

The EDIT FUNCTION screen appears.

```

EDIT FUNCTION  ESC
→INSERT
MOVE
DELETE
BLANK
    
```

4 Move the pointer to INSERT and push on the menu control knob.

The page with the last item added appears.

```

<SW STATUS>    P01 ESC
FLARE      :→ ON
GAMMA     : ON
BLK GAM   : OFF
KNEE      : ON
WHT CLIP  : ON
DETAIL    : ON
LVL DEP   : ON
SKIN DTL  : OFF
MATRIX    : OFF
    
```

5 Add the items.

- ① Turn the menu control knob until the page that has the desired items appears, then push on the menu control knob.
- ② Turn the menu control knob to move the pointer to the desired item, then push on the menu control knob.

The USER 2 EDIT page appears again, displaying the newly added item.

6 Add the remaining items by repeating steps 3 to 5. You can add up to 10 items on one page.

To change the order of items on a page

1 Move the pointer to the item to be moved then push on the menu control knob.

The EDIT FUNCTION screen appears.

2 Select MOVE then push on the menu control knob.

The previously displayed page appears again.

3 Move the pointer to the position where you wish to move the page then push on the menu control knob.

```

ITEM MOVE      ESC
↓↑
→VF OUT       : COLOR
VF DETAIL     : OFF
MARKER        : ON
CURSOR        : OFF
ZEBRA SW      : OFF
●ASSIGNABLE1  : OFF
    
```

The item selected in step 1 moves to the position that you selected in step 3.

In the above example, ASSIGNABLE1 is moved to the top, and the other items are moved down one line.

To delete items from a page

1 Move the pointer to the item to be deleted then push on the menu control knob.

The EDIT FUNCTION screen appears.

2 Select DELETE then push on the menu control knob.

The previously displayed page appears again, and the message "DELETE OK? YES→NO" is displayed.

3 To delete, turn the menu control knob to move the pointer to YES then push on the menu control knob.

To insert a blank line

1 Move the pointer to the item above which you wish to insert a blank line.

The EDIT FUNCTION screen appears.

2 Select BLANK then push on the menu control knob.

The previously displayed page appears again, and a blank line is inserted above the specified item.

Note

You cannot insert a blank line on a page where 10 items have already been registered.

To edit pages

You can add a page to the USER menu, delete a page from the USER menu, or replace pages, using the EDIT PAGE of the USER MENU CUSTOMIZE menu.

To add a page

1 Select USER MENU CUSTOMIZE on the TOP MENU screen .

If this is the first time the USER MENU CUSTOMIZE menu has been displayed, the CONTENTS page of the menu appears.

If the menu has been used before, the page last accessed appears.

2 If the CONTENTS page is displayed, turn the menu control knob to move the pointer to EDIT PAGE then push on the menu control knob to display the EDIT PAGE screen.

If a different page is displayed, turn the menu control knob until the EDIT PAGE screen appears then push on the menu control knob to select the page.

```
EDIT PAGE      ESC
↓↑
01.<VF OUT>
→02.<VF DETAIL>
03.<FOCUS ASSIST>
04.<VF DISPLAY>
05.<'! ' IND>
06.<VF MARKER>
07.<CURSOR>
08.<ZEBRA>
09.<SWITCH ASSIGN1>
10.<SWITCH ASSIGN2>
```

3 Move the pointer to the position where you wish to add the page then push on the menu control knob.

The EDIT FUNCTION screen appears.

4 Select INSERT then push on the menu control knob.

The selection screen appears.

```
CONTENTS      ESC
↓↑
→01.USER 1
02.USER 2
03.USER 3
04.USER 4
05.USER 5
06.USER 6
07.USER 7
08.USER 8
09.USER 9
10.USER 10
```

5 Move the pointer to the desired page then push on the menu control knob.

This adds the number and name of the selected page above the item selected in step 3.

To cancel addition of a page

Before pushing the menu control knob in step 5, turn the menu control knob to move the pointer to ESC at the top right of the screen then push on the menu control knob. The EDIT PAGE screen appears again.

To delete a page

1 On the EDIT PAGE screen of the USER MENU CUSTOMIZE menu, move the pointer to the page to be deleted and push on the menu control knob.

The EDIT FUNCTION screen appears.

2 Select DELETE then push on the menu control knob.

The previously displayed page appears again, and the message "DELETE OK? YES→NO" is displayed.

```
ITEM DELETE      ESC
DELETE OK? YES→NO
01.<VF OUT>
02.<VF DETAIL>
03.<FOCUS ASSIST>
●04.<VF DISPLAY>
05.<'! ' IND>
06.<VF MARKER>
07.<CURSOR>
08.<ZEBRA>
09.<SWITCH ASSIGN1>
10.<SWITCH ASSIGN2>
```

3 To delete, turn the menu control knob to move the pointer to YES then push on the menu control knob.

To change the order of pages

1 Display the EDIT PAGE screen of the USER MENU CUSTOMIZE menu. Turn the menu control knob to move the pointer to the page that you wish to move.

The EDIT FUNCTION screen appears.

2 Select MOVE then push on the menu control knob.

The EDIT PAGE screen appears again.

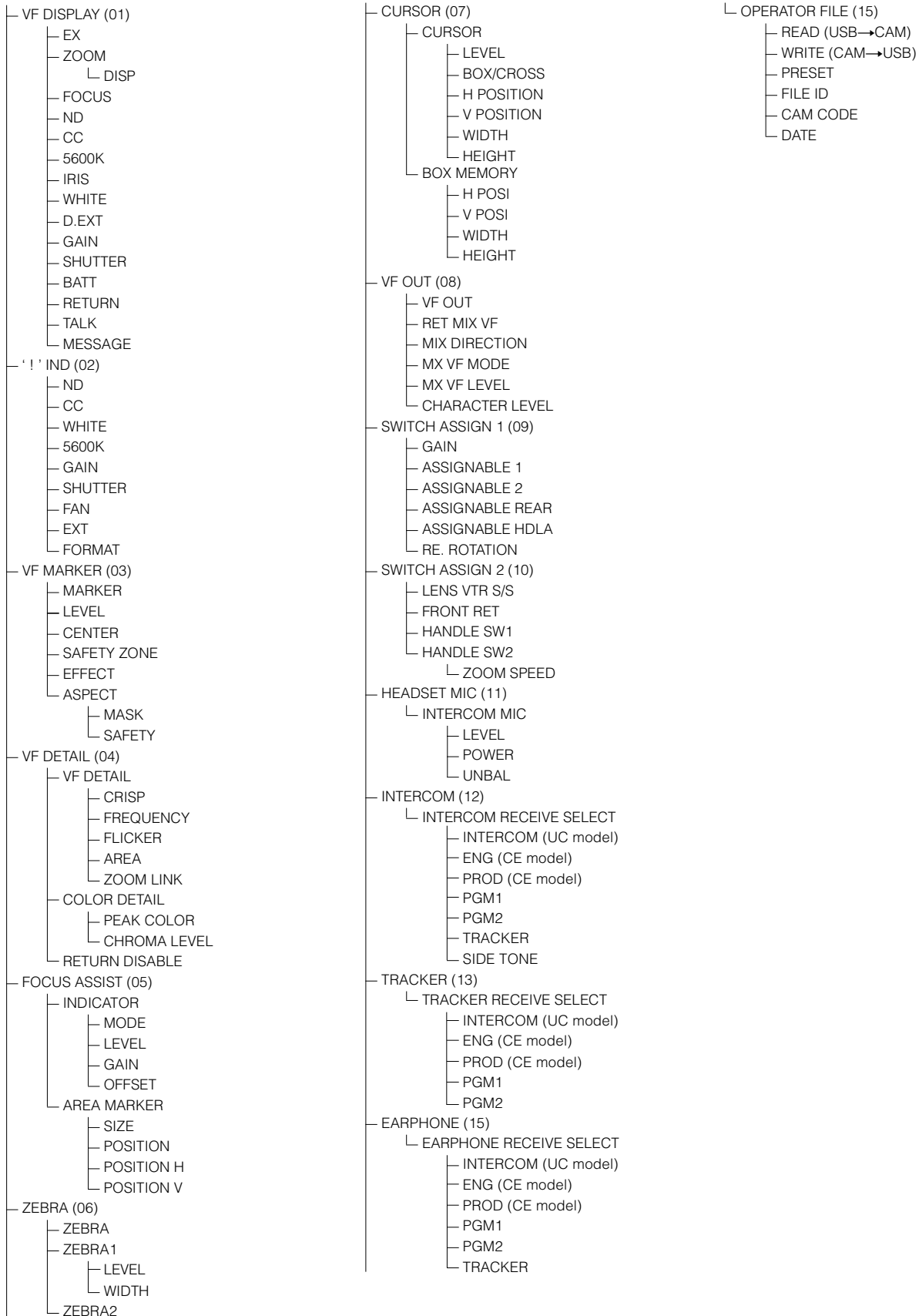
3 Move the pointer to the position where you wish to move the page then push on the menu control knob.

```
ITEM MOVE      ESC
↓↑
01.<VF OUT>
02.<VF DETAIL>
03.<FOCUS ASSIST>
→04.<VF DISPLAY>
05.<'! ' IND>
06.<VF MARKER>
07.<CURSOR>
08.<ZEBRA>
●09.<SWITCH ASSIGN1>
10.<SWITCH ASSIGN2>
```

The page selected in step 1 is moved to the position selected in step 3. In the above example, <SWITCH ASSIGN1> moves to the "04" position, and the <VF DISPLAY> and following pages move down one line.

Menu Tree

OPERATION



PAINT

- SW STATUS (P01)
 - FLARE
 - GAMMA
 - BLK GAM
 - KNEE
 - WHT CLIP
 - DETAIL
 - LVL DEP
 - SKIN DTL
 - MATRIX
- VIDEO LEVEL (P02)
 - WHITE
 - BLACK
 - FLARE
 - GAMMA
 - V MOD
 - FLARE
 - V MOD
 - D.SHAD
 - TEST
- COLOR TEMP (P03)
 - WHITE
 - AUTO WHITE BALANCE
 - COLOR TEMP
 - BALANCE
 - ATW
 - SPEED
 - MASTER
- GAMMA (P04)
 - LEVEL
 - COARSE
 - TABLE
 - GAMMA
 - TEST
- BLACK GAMMA (P05)
 - LEVEL
 - RANGE
 - TEST
- SATURATION (P06)
 - SATURATION
 - LOW KEY SAT
 - RANGE
 - TEST
- KNEE (P07)
 - K POINT
 - K SLOPE
 - KNEE
 - KNEE MAX
 - KNEE SAT
 - AUTO KNEE
 - POINT LIMIT
 - SLOPE
 - ABS
- WHITE CLIP (P08)
 - W CLIP
 - ABS

- DETAIL 1 (P09)
 - DETAIL
 - LEVEL
 - LIMITER M
 - LIMITER WHT
 - LIMITER BLK
 - CRISP
 - LEVEL DEPEND
 - ABS
- DETAIL 2 (P10)
 - H/V RATIO
 - FREQ
 - MIX RATIO
 - KNEE APT
 - DTL H/V MODE
 - ABS
- SKIN DETAIL (P11)
 - SKIN DTL
 - SKIN GATE
 - ABS
 - ZOOM LINK
 - TELE
 - WIDE
 - CH SW
 - HUE
 - PHASE
 - WIDTH
 - SAT
 - LEVEL
- USER MATRIX (P12)
 - R-G
 - R-B
 - G-R
 - G-B
 - B-R
 - B-G
 - MATRIX
 - PRESET
 - USER
 - MULTI
 - ADAPTIVE MATRIX
- MULTI MATRIX (P13)
 - PHASE
 - HUE
 - SAT
 - ALL CLEAR
 - GATE
 - MATRIX
 - PRESET
 - USER
 - MULTI
- SHUTTER (P14)
 - SHUTTER
 - ECS FREQ
- SCENE FILE (P15)
 - 1/2/3/4/5
 - STORE
 - STANDARD
 - READ (USB→CAM)
 - WRITE (CAM→USB)
 - FILE ID
 - CAM CODE
 - DATE

MAINTENANCE

- AUTO SETUP (M01)
 - AUTO BLACK
 - AUTO WHITE
 - AUTO LEVEL
 - AUTO WHITE SHADING
 - AUTO BLACK SHADING
 - TEST
- WHITE SHADING (M02)
 - V SAW
 - V PARA
 - H SAW
 - H PARA
 - WHITE
 - AUTO WHITE SHADING
 - WHITE SHAD MODE
- BLACK SHADING (M03)
 - V SAW
 - V PARA
 - H SAW
 - H PARA
 - BLK SET
 - BLACK
 - MASTER GAIN
 - AUTO BLACK SHADING
 - 2D BLACK SHADING
- OHB MATRIX (M04)
 - PHASE
 - HUE
 - SAT
 - ALL CLEAR
 - OHB MATRIX
 - MATRIX
- AUTO IRIS (M05)
 - AUTO IRIS
 - WINDOW
 - OVERRIDE
 - IRIS LEVEL
 - APL RATIO
 - IRIS GAIN
 - IRIS CLOSE
- LENS (M06)
 - F NO.DISP
 - ALAC
 - AF DISPLAY
- MIC GAIN (M07)
 - MIC1
 - MIC2
 - FRONT MIC +48V
- CALL/TALLY (M08)
 - CCU CALL
 - CAM CALL
 - UP TALLY BRIGHTNESS
 - TALLY
 - NUMBER
 - CAMERA NUMBER
 - NUMBER DISPLAY
- OUTPUT FORMAT (M09)
 - CURRENT

- TEST OUT (M10)
 - OUTPUT
 - VBS-OUT
 - CHARACTER
 - GAIN
 - CHROMA
 - SETUP (UC model)
 - SYNC-OUT
 - V-PHASE
 - H-PHASE
 - DOWN CONVERTER
 - SELECT
 - ASPECT
- SDI OUT (M11)
 - SDI OUT
 - CHARACTER
 - EMB AUDIO
 - DOWN CONVERTER
 - SELECT
 - ASPECT
- POWER SAVE (M12)
 - DOWN CONVERTER
 - PROMPTER
 - D.EXT ENABLE
- TRUNK (M13)
 - TRUNK
- GENLOCK (M14)
 - REFERENCE
 - GENLOCK
 - STATUS
 - FORMAT
 - PHASE
 - V
 - H
- DATE (M16)
 - DATE/TIME
 - FILE TIMESTAMP FORMAT
- BATTERY ALARM (M17)
 - BEFORE END
 - END
- OTHERS 1 (M17)
 - FAN MODE
 - CAM BARS
 - WHITE SETUP MODE
 - FILTER WHT MEM
- EXT RETURN (M18)
 - SD ASPECT
- OPTION KEY (M19)
 - READ (USB→CAM)
 - INSTALLED OPTION

FILE

- OPERATOR FILE (F01)
 - READ (USB→CAM)
 - WRITE (CAM→USB)
 - PRESET
 - STORE PRESET FILE
 - FILE ID
 - CAM CODE
 - DATE
- SCENE FILE (F02)
 - 1/2/3/4/5
 - STORE
 - STANDARD
 - READ (USB→CAM)
 - WRITE (CAM→USB)
 - FILE ID
 - CAM CODE
 - DATE
- REFERENCE (F03)
 - STORE FILE
 - STANDARD
 - ALL PRESET
 - READ (USB→CAM)
 - WRITE (CAM→USB)
 - FILE ID
 - CAM CODE
 - DATE
- LENS FILE (F04)
 - STORE FILE
 - No.
 - NAME
 - F NO
 - CENTER MARKER
 - H POS
 - V POS
 - STORE
- OHB FILE (F05)
 - STORE FILE
- FILE CLEAR (F06)
 - PRESET OPERATOR
 - REFERENCE (ALL)
 - 10 SEC CLEAR
 - OHB WHITE SHAD (ALL)
 - OHB BLACK SHAD
 - OHB ND OFFSET
 - OHB MATRIX

DIAGNOSIS <HSC300RF/HSC100RF>

- OPTICAL LEVEL (D01)
 - CCU→CAM
 - CAM→CCU
- BOARD STATUS (D02)
 - OHB
 - DPR
 - SY
 - PS
 - SDI
- ROM VERSION (D03)
 - CAMERA APP
 - OS
 - PANEL
 - TG
 - SY
 - DPR
 - SDI
- SERIAL NO. (D04)
 - MODEL
 - NO.

DIAGNOSIS <HSC300R/HSC100R>

- BOARD STATUS (D01)
 - OHB
 - DPR
 - SY
 - PS
 - CD
- PLD VERSION (D02)
 - CAMERA APP
 - OS
 - PANEL
 - TG
 - SY
 - DPR
 - CD1
 - CD2
- SERIAL NO. (D03)
 - MODEL
 - NO.

OPERATION Menu

Legend

The following conventions are used in the menu list table.

ON, OFF, 0, ... in the Settings column: Default settings

Page No. nn (Unn): For pages that have been registered on the USER menu at the factory, the USER menu page numbers are indicated in parenthesis.

ENTER to execute: Execute by pushing on the menu control knob.

HDLA: HDLA1500 series

Page name Page No.	Item	Settings	Description
<VF DISPLAY> 01 (U04)	EX	ON , OFF	
	ZOOM	ON, OFF	
	DISP	LEFT , RIGHT	
	FOCUS	ON, OFF	Enabled only when a serial lens is used
	ND	ON , OFF	
	CC	ON , OFF	HSC300RF/HSC300R only
	5600K	ON , OFF	
	IRIS	ON , OFF	
	WHITE	ON, OFF	
	D.EXT	ON , OFF	
	GAIN	ON , OFF	
	SHUTTER	ON , OFF	
	BATT	ON, OFF	
	RETURN	ON , OFF	
	TALK	ON , OFF	
MESSAGE	ALL , WRN, AT, OFF	ALL : Displays all messages. WRN : Displays warning messages and higher. AT : Displays Auto Setup information and higher.	

Page name Page No.	Item	Settings	Description
<'! IND> 02 (U05)	ND	[IND] ON , OFF [NORMAL] 1, 2, 3, 4, 5 (combination allowed)	[IND]: Enable/disable the '! indication (<i>page 14</i>). [NORMAL]: Specify the conditions under which the '! indication is not to be displayed even if [IND] is ON. (By specifying the standard or normal conditions here, non-standard or abnormal conditions can be found using the '! indication in the viewfinder.) e.g.: With the default setting of ND, the '! indication is displayed when an ND filter other than 1 is selected. ---: When a CCU is connected (cannot be changed) CC: HSC300RF/HSC300R only
	CC	[IND] ON , OFF [NORMAL] A, B , C, D, E (combination allowed)	
	WHITE	[IND] ON , OFF, --- [NORMAL] P, A , B (combination allowed)	
	5600K	[IND] ON , OFF, --- [NORMAL] ON, OFF	
	GAIN	[IND] ON , OFF, --- [NORMAL] L, M, H (combination allowed)	
	SHUTTER	[IND] ON , OFF, --- [NORMAL] ON, OFF	
	FAN	[IND] ON , OFF [NORMAL] AUTO1 , AUTO2, MIN, MAX	
	EXT	[IND] ON , OFF	
	FORMAT	[IND] ON , OFF [NORMAL] 1080-59.94i , 1080-50i, 720-59.94P, 720-50P	
	<VF MARKER> 03 (U06)	MARKER	
LEVEL		0 to 100, 40	
CENTER		ON, OFF 1, 2, 3, 4	1: Entire cross 2: Entire cross with a hole 3: Center 4: Center with a hole
SAFETY ZONE		ON, OFF 80.0, 90.0 , 92.5, 95.0%	
EFFECT		ON, OFF , (FOCUS)	(FOCUS) : Displayed when INDICATOR of <FOCUS ASSIST> is ON.
ASPECT		ON, OFF 16:9, 15:9, 14:9, 13:9, 4:3 , (4.3)	(4.3) : If VF SCAN is set to 4:3 when HDLA attached (cannot be changed)
MASK		ON, OFF , (ON) 0 to 15, 12	(ON) : If VF SCAN is set to 4:3 when HDLA attached (cannot be changed) Set the level to darken outside the aspect area.
SAFETY		ON, OFF , (AREA) 80.0, 90.0 , 92.5, 95.0%	For the safety marker in Aspect mode. (AREA) : Displayed when AREA MARKER of <FOCUS ASSIST> is ON.

Page name Page No.	Item	Settings	Description	
<VF DETAIL> 04 (U02)	VF DETAIL	ON , OFF, (ON), (OFF) 0 to 100%, (0 to 100%), 25%	Settings in (): When HDLA attached (cannot be changed)	
	CRISP	-99 to +99, 0		
	FREQUENCY	9M , 14M, 18M		
	FLICKER	ON, OFF		
	AREA	100% , 70%, 60%, 50%, 40%		
	ZOOM LINK	ON , OFF 0%, 25%, 50%, 75%, 100%		
	COLOR DETAIL	ON, OFF BLUE , RED, YELLOW		
	PEAK COLOR	ON, OFF		
	CHROMA LEVEL	100%, 50%, 25% , 0%		
	RETURN DISABLE	ON, OFF		
	<FOCUS ASSIST> 05 (U03) Not displayed when AF DISPLAY of <LENS> is ON.	INDICATOR	ON, OFF , (EFFECT)	(EFFECT) : Displayed when EFFECT of <VF MARKER> is ON.
		MODE	BOX , B&W, COL BOTTOM , LEFT, TOP, RIGHT	
		LEVEL	0 to 100, 40 QUICK , SMOOTH	
		GAIN	0 to 99, 50	
OFFSET		0 to 99, 50		
AREA MARKER		ON, OFF , (ASPECT)	(ASPECT) : Displayed when ASPECT SAFETY of <VF MARKER> is ON.	
SIZE		SMALL, MIDDLE , LARGE		
POSITION		LEFT, CENTER , RIGHT		
POSITION H		0 to 99, 50		
POSITION V		0 to 99, 50		
<ZEBRA> 06 (U08)		ZEBRA	ON, OFF 1 , 2, 1&2	
		ZEBRA1		
		LEVEL	50 to 109%, 70%	
		WIDTH	0 to 30%, 10%	
	ZEBRA2	50 to 109%, 100%		
<CURSOR> 07 (U07)	CURSOR	ON, OFF WHITE , BLACK, DOT	Display only if HDLA attached	
	LEVEL	0 to 100, 40		
	BOX/CROSS	BOX , CROSS		
	H POSITION	0 to 99, 50	Display only if HDLA attached	
	V POSITION	0 to 99, 50		
	WIDTH	0 to 99, 50		
	HEIGHT	0 to 99, 50		
	BOX MEMORY	1/2/3: OFF , ON		
	H POSI	1/2/3: 0 to 99, 50		
	V POSI	1/2/3: 0 to 99, 50		
	WIDTH	1/2/3: 0 to 99, 50		
	HEIGHT	1/2/3: 0 to 99, 50		

Page name Page No.	Item	Settings	Description
<VF OUT> 08 (U01)	VF OUT	COLOR , Y, R, G, B, (COLOR), (Y), (R), (G), (B), (RET), (R+G), (R+B), (G+B)	Settings in (): When HDLA attached (cannot be changed)
	RET MIX VF	ON, OFF , (ON), (OFF)	Settings in (): When HDLA attached (cannot be changed)
	MIX DIRECTION	MAIN, RET	
	MIX VF MODE	Y-MIX , WIRE(W), WIRE(B)	
	MIX VF LEVEL	0 to 80%	
	CHARACTER LEVEL	0 to 5, 4	
<SWITCH ASSIGN1> 09 (U09)	GAIN	L: -3, 0 , 3, 6, 9, 12 dB	
		M: -3, 0, 3, 6 , 9, 12 dB	
		H: -3, 0, 3, 6, 9, 12 dB	
	ASSIGNABLE1	UC model:	---: When HDLA attached (HSC300RF/HSC300R only)
	ASSIGNABLE2	OFF , RETURN1 SW, RETURN2 SW, INCOM, VF DETAIL, MIX VF, 5600K, FAN MAX, D.EXTENDER, FOCUS ASSIST INDICATOR, VF ASSIGN SW1, VF ASSIGN SW2 - - - CE model: OFF , RETURN1 SW, RETURN2 SW, ENG, PROD, VF DETAIL, MIX VF, 5600K, FAN MAX, D.EXTENDER, FOCUS ASSIST INDICATOR, VF ASSIGN SW1, VF ASSIGN SW2 - - -	
	ASSIGNABLE REAR	UC model: OFF , RETURN1 SW, RETURN2 SW, INCOM, VF DETAIL, MIX VF, 5600K, FAN MAX, D.EXTENDER, FOCUS ASSIST INDICATOR, CURSOR, MARKER, VF ASSIGN SW1, VF ASSIGN SW2 - - - CE model: OFF , RETURN1 SW, RETURN2 SW, ENG, PROD, VF DETAIL, MIX VF, 5600K, FAN MAX, D.EXTENDER, FOCUS ASSIST INDICATOR, CURSOR, MARKER, VF ASSIGN SW1, VF ASSIGN SW2 - - -	
	ASSIGNABLE HDLA	OFF , EXTENDER, 5600K, FAN MAX	Only when HDLA attached
RE.ROTATION	STD , RVS	Specify operation mode of the menu control knob on the front. STD : Clockwise rotation moves the pointer down or increases values on the menu screen. RVS : Counterclockwise rotation moves the pointer down or increases values on the menu screen.	

Page name Page No.	Item	Settings	Description
<SWITCH ASSIGN2> 10 (U10)	LENS VTR S/S	UC model: OFF, RETURN1 SW, RETURN2 SW , INCOM, VF ASSIGN SW1, VF ASSIGN SW2 CE model: OFF, RETURN1 SW, RETURN2 SW , ENG, PROD, VF ASSIGN SW1, VF ASSIGN SW2	Assign a function to the VTR START/STOP switch on the mounted lens.
	FRONT RET	OFF, RETURN1 SW, RETURN2 SW , INCOM, D.EXTENDER	
	HANDLE SW1	UC model: OFF, RETURN1 SW , RETURN2 SW, INCOM, ZOOM(T) CE model: OFF, RETURN1 SW , RETURN2 SW, ENG, PROD, ZOOM(T)	
	HANDLE SW2	UC model: OFF, RETURN1 SW, RETURN2 SW, INCOM , ZOOM(W) CE model: OFF, RETURN1 SW, RETURN2 SW, ENG , PROD, ZOOM(W)	
	ZOOM SPEED	0 to 99, 20	
<HEADSET MIC> 11 (U12)	INTERCOM MIC	DYNAMIC , CARBON, MANUAL	
	LEVEL	-60 dB, -40 dB, -20 dB, (-60 dB) -6, 0 , 6 dB	Settings in (): With DYNAMIC or CARBON (cannot be changed) Input gain
	POWER	ON, OFF, (ON), (OFF)	Settings in (): With DYNAMIC or CARBON (cannot be changed)
	UNBAL	ON, OFF, (ON) , (OFF)	Settings in (): With CARBON (cannot be changed)
<INTERCOM> 12	INTERCOM RECEIVE SELECT	SEPARATE , MIX	
	INTERCOM	---, LEFT , RIGHT, BOTH	UC model only
	ENG	---, LEFT , RIGHT, BOTH	CE model only
	PROD	---, LEFT , RIGHT, BOTH	CE model only
	PGM1	---, LEFT, RIGHT , BOTH	
	PGM2	---, LEFT, RIGHT , BOTH	
	TRACKER	---, LEFT , RIGHT, BOTH	
	SIDE TONE	MU, 1 to 99, 50	
<TRACKER> 13	TRACKER RECEIVE SELECT	SEPARATE , MIX	
	INTERCOM	---, LEFT , RIGHT, BOTH	UC model only
	ENG	---, LEFT , RIGHT, BOTH	CE model only
	PROD	---, LEFT , RIGHT, BOTH	CE model only
	PGM1	---, LEFT, RIGHT , BOTH	
	PGM2	---, LEFT, RIGHT , BOTH	
<EARPHONE> 14	EARPHONE RECEIVE SELECT	SEPARATE , MIX	
	INTERCOM	---, LEFT , RIGHT, BOTH	UC model only
	ENG	---, LEFT , RIGHT, BOTH	CE model only
	PROD	---, LEFT , RIGHT, BOTH	CE model only
	PGM1	---, LEFT, RIGHT , BOTH	
	TRACKER	---, LEFT , RIGHT, BOTH	

Page name Page No.	Item	Settings	Description
<OPERATOR FILE> 15	READ (USB→CAM)	ENTER to execute	Reads the operator file from a USB drive.
	WRITE (CAM→USB)	ENTER to execute	Writes the current settings of the operator file items to a USB drive.
	PRESET	ENTER to execute	To set the operator file items to the preset values in internal memory
	FILE ID	Max. 16 characters	Enters a comment for the operator file to be written to a USB drive. <i>See "FILE Menu" on page 42.</i>
	CAM CODE	Camera code	(display only)
	DATE	Date	(display only)

PAINT Menu

Page name Page No.	Item	Settings	Description
<SW STATUS> P01	FLARE	ON , OFF	
	GAMMA	ON , OFF	
	BLK GAM	ON, OFF	
	KNEE	ON , OFF	
	WHT CLIP	ON , OFF	
	DETAIL	ON , OFF	
	LVL DEP	ON , OFF	
	SKIN DTL	ON, OFF	
	MATRIX	ON, OFF	
<VIDEO LEVEL> P02	WHITE	R/G/B: -99 to +99, 0	R, G, B, and M (master) values can be independently set. (M cannot be set for WHITE.)
	BLACK	R/G/B/M: -99 to +99, 0	
	FLARE	R/G/B/M: -99 to +99, 0	
	GAMMA	R/G/B/M: -99 to +99, 0	
	V MOD	R/G/B/M: -99 to +99, 0	
	FLARE	ON , OFF	
	V MOD	ON , OFF	
	D. SHAD	ON, OFF	Selectable only when a lens supporting dynamic shading is used.
	TEST	OFF , SAW, 10STEP	
<COLOR TEMP> P03	WHITE	R/G/B: -99 to +99, 0	
	AUTO WHITE BALANCE	ENTER to execute	
	COLOR TEMP	0 K to 65535 K, 3200 K	
	BALANCE	-99 to +99, 0	
	ATW	ON, OFF	
	SPEED	1 to 5, 4	
	MASTER	-3.0 dB to +12.0 dB, 0.0 dB	

Page name Page No.	Item	Settings	Description
<GAMMA> P04	LEVEL	R/G/B/M: -99 to +99, 0	R, G, B, and M (master) values can be independently set.
	COARSE	0.35 to 0.90 (0.05 steps), 0.45	
	TABLE	STANDARD , HYPER	
		UC model: 1, 2, 3 , 4, 5, 6, 7 CE model: 1, 2 , 3, 4, 5, 6, 7	With STANDARD selected: 1 : equivalent to a camcorder 2 : 4.5-times gain 3 : 3.5-times gain 4 : equivalent to SMPTE-240M 5 : equivalent to ITU-R709 6 : 5.0-times gain 7 : 5.0-times gain - 709
		1, 2, 3, 4	With HYPER selected 1 : 325% to 100% 2 : 460% to 100% 3 : 325% to 109% 4 : 460% to 109%
	GAMMA	ON , OFF	
	TEST	OFF , SAW, 10STEP	
<BLACK GAMMA> P05	LEVEL	R/G/B/M: -99 to +99, 0	R, G, B, and M (master) values can be independently set.
	RANGE	LOW, L.MID, H.MID, HIGH	
	TEST	OFF , SAW, 10STEP	
<SATURATION> P06	SATURATION	-99 to +99, 0	
		ON, OFF	
	LOW KEY SAT	-99 to +99, 0	
	RANGE	LOW, L.MID, H.MID, HIGH	
	ON, OFF		
TEST	OFF , SAW, 10STEP		
<KNEE> P07	K POINT	R/G/B/M: -99 to +99, 0	Absolute values are displayed in ABS mode except for [M] (master).
	K SLOPE	R/G/B/M: -99 to +99, 0	
	KNEE	ON , OFF	
	KNEE MAX	ON, OFF	
	KNEE SAT	-99 to +99, 0	
		ON, OFF	
	AUTO KNEE	OFF , AUTO	
	POINT LIMIT	-99 to +99, 0	Absolute value is displayed in ABS mode.
	SLOPE	-99 to +99, 0	Absolute value is displayed in ABS mode.
ABS		Highlighted: ABS (Absolute) mode	
<WHITE CLIP> P08	W CLIP	-99 to +99, 0	
		ON , OFF	
	ABS		Highlighted: ABS (Absolute) mode

Page name Page No.	Item	Settings	Description	
<DETAIL 1> P09	DETAIL	ON , OFF		
	LEVEL	-99 to +99, 0	Absolute value is displayed in ABS mode.	
	LIMITER M	-99 to +99, 0		
	LIMITER WHT	-99 to +99, 0	Absolute value is displayed in ABS mode.	
	LIMITER BLK	-99 to +99, 0	Absolute value is displayed in ABS mode.	
	CRISP	-99 to +99, 0	Absolute value is displayed in ABS mode.	
	LEVEL DEPEND	-99 to +99, 0	Absolute value is displayed in ABS mode.	
			ON , OFF	
	ABS		Highlighted: ABS (Absolute) mode	
<DETAIL 2> P10	H/V RATIO	-99 to +99, 0	Absolute value is displayed in ABS mode.	
	FREQ	-99 to +99, 0	Absolute value is displayed in ABS mode.	
	MIX RATIO	-99 to +99, 0	Absolute value is displayed in ABS mode.	
	KNEE APT	-99 to +99, 0	Absolute value is displayed in ABS mode.	
			ON , OFF	
	DTL H/V MODE	H/V , V only		
		ABS		Highlighted: ABS (Absolute) mode
<SKIN DETAIL> P11	SKIN DTL	ON , OFF		
	SKIN GATE	OFF , 1, 2, 3, (MAT)	1, 2, 3 : The skin gate function can be turned ON for the specified channel only. (MAT) : Displayed when GATE of <MULTI MATRIX> is ON.	
			ON , OFF	
		ABS		Highlighted: ABS (Absolute) mode
	ZOOM LINK	OFF , ON		
	TELE	0 to 99		
	WIDE	0 to 99		
	CH SW	1: (ON), 2/3: ON, OFF		
	HUE	1/2/3: ENTER to execute		
	PHASE	1/2/3: 0 to 359		
	WIDTH	1/2/3: 0 to 90, 29		
	SAT	1/2/3: -99 to +99, -89		
	LEVEL	1/2/3: -99 to +99, 0		
				Sets the skin tone detail function independently for each channel. (Channel 1 is always set to ON.)
			Absolute values are indicated for LEVEL only in ABS mode.	
<USER MATRIX> P12	R-G	-99 to +99, 0		
	R-B	-99 to +99, 0		
	G-R	-99 to +99, 0		
	G-B	-99 to +99, 0		
	B-R	-99 to +99, 0		
	B-G	-99 to +99, 0		
	MATRIX	ON , OFF		
	PRESET	ON , OFF, --	--: When MATRIX is set to OFF (cannot be changed)	
			SMPTE-240M, ITU-709 , SMPTE-WIDE, NTSC, EBU, ITU-601, --	
	USER	ON, OFF , --		
	MULTI	ON, OFF , --		
	ADAPTIVE MATRIX	OFF , ON		

Page name Page No.	Item	Settings	Description	
<MULTI MATRIX> P13	PHASE	0 , 23, 45, 68, 90, 113, 135, 158, 180, 203, 225, 248, 270, 293, 315, 338	Selects an axis (angle) at PHASE for which the multimatrix adjustment to be made, and set HUE and SAT. (HUE and SAT can be adjusted independently for 16 axes.)	
	HUE	-99 to +99, 0		
	SAT	-99 to +99, 0		
	ALL CLEAR	ENTER to execute		
	GATE	ON, OFF , (1), (2), (3)	(1), (2), (3) : Displayed when SKIN GATE of <SKIN DETAIL> is ON.	
	MATRIX	ON, OFF		
	PRESET	ON , OFF, --	--: When MATRIX is set to OFF (cannot be changed)	
		SMPTE-240M, ITU-709 , SMPTE-WIDE, NTSC, EBU, ITU-601, --		
	USER	ON, OFF , --		
	MULTI	ON, OFF , --		
<SHUTTER> P14	SHUTTER	ON, OFF	Step shutter selection	
		59.94i format: 1/100 , 1/125, 1/250, 1/500, 1/1000, 1/2000 50i format: 1/60, 1/125, 1/250, 1/500, 1/1000, 1/2000 59.94P format: 1/100, 1/125, 1/250, 1/500, 1/1000, 1/2000 50P format: 1/60, 1/125, 1/250, 1/500, 1/1000, 1/2000		
	ECS FREQ	59.94i format: 60.00 to 4300 Hz 50i format: 50.00 to 4700 Hz 59.94P format: 59.96 to 4600 Hz 50P format: 50.03 to 4600 Hz		
<SCENE FILE> P15	1		Stores and reads scene files (paint data): When storing a file in camera memory, specify the number before executing STORE. When reading, only specify the number.	
	2			
	3			
	4			
	5			
	STORE	ENTER to execute		
	STANDARD	ENTER to execute		Reads the standard paint data.
	READ (USB→CAM)	ENTER to execute		Loads five scene files from a USB drive to internal memory.
	WRITE (CAM→USB)	ENTER to execute		Writes five scene files in camera memory to a USB drive.
	FILE ID	Max. 16 characters	Enters a comment for the scene files to be written to a USB drive. <i>See "To enter a character string" on page 24.</i>	
	CAM CODE	Camera code	(display only)	
	DATE	Date	(display only)	

MAINTENANCE Menu

Page name Page No.	Item	Settings	Description
<AUTO SETUP> M01	AUTO BLACK	ENTER to execute	
	AUTO WHITE	ENTER to execute	
	AUTO LEVEL	ENTER to execute	
	AUTO WHITE SHADING	ENTER to execute	
	AUTO BLACK SHADING	ENTER to execute	
	TEST	OFF , SAW, 10STEP	
<WHITE SHADING> M02	V SAW	R/G/B: -99 to +99, 0	R, G, and B values can be independently set.
	V PARA	R/G/B: -99 to +99, 0	
	H SAW	R/G/B: -99 to +99, 0	
	H PARA	R/G/B: -99 to +99, 0	
	WHITE	R/G/B: -99 to +99, 0	
	AUTO WHITE SHADING	ENTER to execute	
	WHITE SHAD MODE	RGB, RB	
<BLACK SHADING> M03	V SAW	R/G/B: -99 to +99, 0	R, G, and B values can be independently set. M (master) value can also be set for BLACK.
	V PARA	R/G/B: -99 to +99, 0	
	H SAW	R/G/B: -99 to +99, 0	
	H PARA	R/G/B: -99 to +99, 0	
	BLK SET	R/G/B: -99 to +99, 0	
	BLACK	R/G/B/M: -99 to +99, 0	
	MASTER GAIN	-6, -3, 0 , 3, 6, 9, 12 dB	
	AUTO BLACK SHADING	ENTER to execute	
	2D BLACK SHADING	ON , OFF	
<OHB MATRIX> M04	PHASE	0 , 23, 45, 68, 90, 113, 135, 158, 180, 203, 225, 248, 270, 293, 315, 338	Selects an axis (angle) at PHASE for which the OHB matrix adjustment to be made, and set HUE and SAT. (HUE and SAT can be adjusted independently for 16 axes.)
	HUE	-99 to +99, 0	
	SAT	-99 to +99, 0	
	ALL CLEAR	ENTER to execute	The HUE and SAT values for all PHASE settings are cleared.
	OHB MATRIX	ON, OFF	
	MATRIX	ON, OFF	

Page name Page No.	Item	Settings	Description
<AUTO IRIS> M05	AUTO IRIS	ON, OFF	
	WINDOW	1, 2, 3, 4, 5, 6	<p>Selects the auto iris window:</p> <p>The shaded parts indicate the area where light detection occurs.</p>
	OVERRIDE	-99 to 99, ---	<p>Set the override to temporarily change the reference value for brightness of the automatic iris level in the range of ±2 steps.</p> <p>-99: Two steps to fully closed iris. 99: Two steps to fully opened iris. --- : OFF</p> <p>The setting returns to "---" when the power is turned off.</p>
	IRIS LEVEL	-99 to +99, 0	±4 steps
	APL RATIO	-99 to +99, 65	
	IRIS GAIN	-99 to +99, 0	
	IRIS CLOSE	ON, OFF	
	<LENS> M06	F NO. DISP	CONTROL , RETURN
ALAC		AUTO , OFF	<p>With AUTO selected, the status is displayed at the right.</p> <p>(ACTIVE): Compensation is in progress. (WAIT): Waiting for completion of lens initialization (STOP): Compensation is turned off for a non-applicable lens</p>
AF DISPLAY		ON, OFF	
<MIC GAIN> M07	MIC1	20, 30, 40, 50, 60 dB	Valid only in standalone operation.
	MIC2	20, 30, 40, 50, 60 dB	
	FRONT MIC +48V	ON , OFF	
<CALL/TALLY> M08 (U13)	CCU CALL	OFF, ON , ---	--- : When a CCU is connected (cannot be changed)
	CAM CALL	OFF , ON, ---	
	UP TALLY BRIGHTNESS		
	TALLY	0 to 100, 50	
	NUMBER	0 to 100, 50	
CAMERA NUMBER	---, 1 to 96		
NUMBER DISPLAY	ON, OFF, AUTO	AUTO : When HDLA is attached, corresponds to the UP TALLY switch setting.	
<OUTPUT FORMAT> M09 (U14)	CURRENT	1080: 59.94i, 50i 720: 59.94P, 50P	Displays the current format.

Page name Page No.	Item	Settings	Description
<TEST OUT> M10 (U15)	OUTPUT	SD-SYNC, HD-SYNC, VF, <u>VBS</u> , PROMPTER	
	VBS-OUT		OUTPUT is displayed for VBS.
	CHARACTER	ON, <u>OFF</u>	
	GAIN	-99 to +99, <u>0</u>	
	CHROMA	-99 to +99, <u>0</u>	
	SETUP	ON, <u>OFF</u>	Displayed when the format is NTSC.
	SYNC-OUT		OUTPUT is displayed during SD-SYNC and HD-SYNC.
	V-PHASE	-999 to +999, <u>0</u>	
	H-PHASE	-999 to +999, <u>0</u>	
	DOWN CONVERTER		OUTPUT is displayed for VBS.
	SELECT	<u>MAIN</u> , RET, VF	
ASPECT	<u>SQ</u> , EC		
<SDI OUT> M11 (U16)	SDI OUT	OFF, <u>MAIN</u> , VF, RET, SD-SDI, SDI PROMPTER	
	CHARACTER	ON, <u>OFF</u>	
	EMB AUDIO	<u>OFF</u> , MIC, PGM	
	DOWN CONVERTER		SDI OUT is displayed for SD-SDI.
	SELECT	<u>MAIN</u> , RET, VF	
ASPECT	<u>SQ</u> , EC		
<POWER SAVE> M12 (U11)	DOWN CONVERTER	PWR SAVE, <u>ACTIVE</u>	
	PROMPTER	<u>PWR SAVE</u> , ACTIVE	
	D.EXT ENABLE	ENABLE, <u>DISABLE</u>	
<TRUNK> M13 (U17)	TRUNK	<u>ON</u> , OFF	
<GENLOCK> M14	REFERENCE	Synchronization status	(display only)
	GENLOCK	<u>ENABLE</u> , DISABLE	Not displayed when a CCU is connected.
	STATUS		
	FORMAT		
	PHASE		
	V	-1024 to +1023, <u>0</u>	
H	-1700 to +1700, <u>0</u>		
<DATE> M15	DATE/TIME	yyyy/mm/dd hh:mm	
	FILE TIMESTAMP FORMAT	1 Y/Mn/D, 2 Mn/D, 3 D/M/Y 4 D/M, <u>5 M/D/Y</u> , 6 M/D	Y: Year Mn: Month (numeric) M: Month (character string) D: Day
<BATTERY ALARM> M16	BEFORE END	<u>11.5</u> to 17.0 V	
	END	<u>11.0</u> to 11.5 V	
<OTHERS> M17	FAN MODE	OFF, <u>AUTO1</u> , AUTO2, MIN, MAX	AUTO1 : Normal rotation AUTO2 : Slow rotation
	CAM BARS	ON, <u>OFF</u>	
	WHITE SETUP MODE	AWB, <u>A.LVL</u>	
	FILTER WHT MEM	ON, <u>OFF</u>	Sets the function to use independent white memory at each CC filter position to ON/OFF (HSC300RF/HSC300R only).
<EXT RETURN> M18	SD ASPECT	<u>SQ</u> , EC	

Page name Page No.	Item	Settings	Description
<OPTION KEY> M19	READ (USB→CAM)	Execute via ENTER.	Reads the install key from a USB drive.
	INSTALLED OPTION		Displayed only when an option has been installed.

FILE Menu

Five types of files can be used for easy adjustments of the camera; Operator, Reference, Scene, OHB, and Lens. You can store the items set with the OPERATION menu and customized USER menu in the Operator file.

For the specific items included in these files, refer to the Maintenance Manual.

Page name Page No.	Item	Settings	Description
<OPERATOR FILE> F01	READ (USB→CAM)	ENTER to execute	Reads the operator file from a USB drive.
	WRITE (CAM→USB)	ENTER to execute	Writes the current settings of the operator file items to a USB drive.
	PRESET	ENTER to execute	To set the operator file items to the preset values in internal memory.
	STORE PRESET FILE	ENTER to execute	Stores the current settings of the operator file items in the operator file in internal memory.
	FILE ID	Max. 16 characters	Enters a comment for the operator file to be written to a USB drive. <i>See "To enter a character string" on page 24.</i>
	CAM CODE	Camera code	(display only)
	DATE	Date	(display only)
<SCENE FILE> F02	1		Stores and reads scene files (paint data): When storing a file in camera memory, specify the number before executing STORE. When reading, only specify the number.
	2		
	3		
	4		
	5		
	STORE	ENTER to execute	
	STANDARD	ENTER to execute	Reads the standard paint data.
	READ (USB→CAM)	ENTER to execute	Loads five scene files from a USB drive to internal memory.
	WRITE (CAM→USB)	ENTER to execute	Writes five scene files in camera memory to a USB drive.
	FILE ID	Max. 16 characters	Enters a comment for the scene files to be written to a USB drive. <i>See "To enter a character string" on page 24.</i>
	CAM CODE	Camera code	(display only)
	DATE	Date	(display only)
	<REFERENCE> F03	STORE FILE	ENTER to execute
STANDARD		ENTER to execute	To read the standard values in the reference file in internal memory.
ALL PRESET		ENTER to execute	To resume the factory-preset reference file
READ (USB→CAM)		ENTER to execute	Loads a reference file from a USB drive.
WRITE (CAM→USB)		ENTER to execute	Writes the current settings of the reference file items as a reference file to a USB drive.
FILE ID		Max. 16 characters	Enters a comment for the reference file to be written to a USB drive. <i>See "To enter a character string" on page 24.</i>
CAM CODE		Camera code	(display only)
DATE		Date	(display only)

Page name Page No.	Item	Settings	Description
<LENS FILE> F04	STORE FILE	ENTER to execute	
	No.	1 to 17, 1	1 to 16: When using a non-serial lens 17: When using a serial lens
	NAME		Changeable only when using a non-serial lens
	F NO	F1.0 to F3.4, F1.7	Changeable only when using a non-serial lens
	CENTER MARKER		To set and store the center marker position
	H POS	-20 to +20, 0	H POS: Increasing the value moves the position to the right.
	V POS	-20 to +20, 0	V POS: Increasing the value moves the position downwards.
<OHB FILE> F05	STORE FILE	ENTER to execute	To store the offset values of the items specific to the CCD (No repeated store operation is necessary even if the CCD is reattached.)
<FILE CLEAR> F06	PRESET OPERATOR	ENTER to execute	
	REFERENCE (ALL)	ENTER to execute	
	10 SEC CLEAR	ON, OFF	To activate/deactivate the function to clear the current menu item. See "To return a menu item to its standard value" on page 24.
	OHB WHITE SHAD (ALL)	ENTER to execute	
	OHB BLACK SHAD	ENTER to execute	
	OHB ND OFFSET	ENTER to execute	
	OHB MATRIX	ENTER to execute	

DIAGNOSIS Menu

This menu is only for viewing and camera settings cannot be made using this menu.

However, some items set the conditions for viewing.

HSC300RF/HSC100RF

Page name Page No.	Item	Indication	Description
<OPTICAL LEVEL> D01	CCU→CAM	GREEN, YELLOW, RED, NG, NO SIGNAL	
	CAM→CCU	GREEN, YELLOW, RED, NG, NO SIGNAL	
<BOARD STATUS> D02	OHB	OK, NG	
	DPR	OK, NG	
	SY	OK, NG	
	PS	OK, NG	
	SDI	OK, NG	
<ROM VERSION> D03 (U15)	CAMERA APP	Vx.xx	
	O.S	Vx.xx	
	PANEL	Vx.xx	Displayed only when mounted in HDLA
	TG	Vx.xx	
	SY	Vx.xx	
	DPR	Vx.xx	
	SDI	Vx.xx	
<SERIAL No.> D04	MODEL	HSCxxxx	
	NO.	xxxxxxx	

HSC300R/HSC100R

Page name Page No.	Item	Indication	Description
<BOARD STATUS> D01	OHB	OK, NG	
	DPR	OK, NG	
	SY	OK, NG	
	PS	OK, NG	
	CD	OK, NG	
<ROM VERSION> D02 (U15)	CAMERA APP	Vx.xx	
	O.S	Vx.xx	
	PANEL	Vx.xx	Displayed only when mounted in HDLA
	TG	Vx.xx	
	SY	Vx.xx	
	DPR1	Vx.xx	
	CD1	Vx.xx	
	CD2	Vx.xx	
<SERIAL No.> D03	MODEL	HSCxxxx	
	NO.	xxxxxxx	

Appendix

Precautions

The fan and battery are consumable parts that will need periodic replacement.

When operating at room temperature, a normal replacement cycle will be about 5 years. However, this replacement cycle represents only a general guideline and does not imply that the life expectancy of these parts is guaranteed. For details on parts replacement, contact your dealer.

The life expectancy of the electrolytic capacitor is about 5 years under normal operating temperatures and normal usage (8 hours per day; 25 days per month).

If usage exceeds the above normal usage frequency, the life expectancy may be reduced correspondingly.

Note on laser beams

Laser beams may damage the CCDs. If you shoot a scene that includes a laser beam, be careful not to let a laser beam become directed into the lens of the camera.

Do not subject to severe shocks

Damage to the case or internal components may result.

After use

Set the power switch to OFF.

Operation and storage environment

Store in a level place with air conditioning.

If the unit gets wet, make sure it is completely dry before storage.

Avoid using or storing the unit in the following places:

- Extremely hot or cold places
- Places with high humidity
- Places with strong vibration
- Near strong magnetic fields
- In places where it receives much direct sunlight, or near heating equipment

Condensation

If the unit is suddenly taken from a cold to a warm location, or if ambient temperature suddenly rises, moisture may form on the outer surface of the unit and/or inside of the unit. This is known as condensation. If condensation occurs, turn off the unit and wait until the condensation clears before operating the unit. Operating the unit while condensation is present may damage the unit.

Phenomena specific to image sensors

Note

The following phenomena that may appear in images are specific to CCD (Charge Coupled Device) image sensors. They do not indicate a malfunction.

White flecks

Although the CCD image sensors are produced with high-precision technologies, fine white flecks may be generated on the screen in rare cases, caused by cosmic rays.

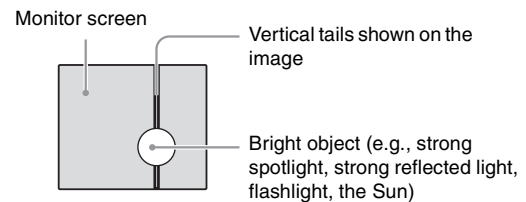
This is related to the principle of CCD image sensors and is not a malfunction.

The white flecks especially tend to be seen

- when operating at a high environmental temperature
- when you have raised the master gain (sensitivity)
- when using slow shutter

Smearing

When an extremely bright object, such as a strong spotlight or flashlight, is being shot, vertical tails may be produced on the screen, or the image may be distorted.



Aliasing

When fine patterns, stripes, or lines are shot, they may appear jagged or flicker.

Digital Triax Transmission (HSC300R/HSC100R)

A powerful error-correction function is incorporated for the transmission between the camera and CCU. However, if an error occurs on long-distance transmission because of external noise or for some other reason, the compensation by interpolation that partially uses the previous picture may operate.

In digital triax transmission, the following video delay in transmission may occur.

- The video delay in transmission between the camera and the CCU is approx. 9 ms to 12 ms.
- A delay of about 1 frame occurs on the viewfinder display if a camera image is sent back from the CCU to the camera as a return signal.
- The prompter video will delay approx. 5 frames in the standard mode. (For the prompter video, either the standard mode or the low-delay mode using simplified images can be selected on the CCU).
- An appropriate delay is applied to the MIC 1 and 2 audio signals from the CCU to match the video delay.
- A certain time is required for the video signal transmitted between the camera and the CCU to stabilize after power is applied. This is not a malfunction.

Triax Transmission Distances

When an HSC300R is connected to HSCU300R/ HSCU-300

The maximum and minimum transmission distances allowed for triax cable connection are shown in the table below. The distances may vary according to the conditions, such as the total power requirements (including the power supply to the camera from the CCU) and cable degradation.

Allowable transmission range when using triax cables with the following characteristics:

Attenuation: 3.8 to 68.4 dB at 100 MHz (including the connector loss)

Cable type (example)		Max. distance ¹⁾	Min. distance
Fujikura	8.5 mm dia.	900 m (2953 ft) ²⁾	50 m (164 ft)
Fujikura	14.5 mm dia.	1800 m (5906 ft)	100 m (328 ft)
Belden 9232	13.2 mm dia.	1300 m (4265 ft)	75 m (246 ft)

1) If the transmission distance exceeds approximately 7/9 of the maximum transmission distance, the teleprompter transmitted image quality starts to deteriorate.

2) The maximum distance is 650 m (2133 ft) when the total power for the lens, viewfinder and utility outputs is between 100 W and 120 W.

When an HSC300R is connected to HXCU-100 or when an HSC100R is connected to HSCU300R/ HSCU-300/HXCU-100

The maximum and minimum transmission distances allowed for triax cable connection are shown in the table below. The distances may vary according to the conditions, such as cable degradation.

Allowable transmission range when using triax cables with the following characteristics:

Attenuation: 3.8 to 45.6 dB at 100 MHz (including the connector loss)

Cable type (example)		Max. distance	Min. distance
Fujikura	8.5 mm dia.	600 m (1969 ft)	50 m (164 ft)
Fujikura	14.5 mm dia.	1200 m (3937 ft)	100 m (328 ft)
Belden 9232	13.2 mm dia.	850 m (2789 ft)	75 m (246 ft)

Error Messages

If a problem occurs during operation, a warning message is displayed.

Note

To display a message, set the DISPLAY/MENU switch to DISPLAY or MENU.

Message	Meaning
TEMP WARNING	The internal temperature is extraordinarily high.
FAN STOP	The built-in fan is not rotating properly.
SET SYSTEM CLOCK	The time/date of the internal clock have not been set.
OHB BLOCK NG!	A problem is detected in the optical block.

Message	Meaning
MSU RPN BUSY	RPN compensation was attempted using the camera menu while being operated from an external device. Consult Sony service personnel.
VF RPN BUSY	RPN compensation was attempted from an external device while being operated using the camera menu. Consult Sony service personnel.
FORMAT ERROR!	A USB drive operation was attempted with an unformatted drive.
FILE ERROR	An error occurred while reading a file from a USB drive.
OTHER MODEL'S FILE	You attempted to read a file of other models having no compatibility.
FILE NOT FOUND	The file you attempted to read does not exist on the USB drive.

Using a USB Drive

You can connect a USB drive to the USB connector to save and load the settings data file.

The following Sony USB drives are recommended. (As of July 2013)

Series	Product
Micro Vault P	USM32GP, USM16GP
Micro Vault M	USM32GM, USM16GM, USM8GM, USM4GM
Micro Vault R	USM32GR, USM16GR, USM8GR, USM4GR

Notes

- USB drives other than those recommended may not be recognized when connected to the USB connector.
- USB drives must be formatted with the FAT16 or FAT32 file system. Recommended Sony USB drives are preformatted, and can be used without any prior setup.

Specifications

General	
Power supply	180 V DC, 1.0 A (max.) 12 V DC, 7 A (max.)
Operating temperature	-20 °C to +45 °C (-4 °F to +113 °F)
Storage temperature	-20 °C to +60 °C (-4 °F to +140 °F)
Mass	Approx. 4.1 kg (9 lb 0.62 oz) (HSC300RF/HSC100RF, unit only) Approx. 4.5 kg (9 lb 15 oz) (HSC300R/HSC100R, unit only)
Imager	
Imager	2/3-type Progressive Scan CCD
Method	3-CCD, RGB
Effective resolution	1920 (horizontal) × 1080 (vertical)

Electrical characteristics

Sensitivity	f10.0 with 59.94 Hz/f11.0 with 50.00 Hz (at 2000 lx with 89.9% reflectivity)
Image S/N	Typical 60 dB
Horizontal resolution	HD: 1000 TV lines (at center of screen), 5% or higher modulation
Geometric distortion	Negligible (not including lens distortion)

Optical system specifications

Spectral system	F1.4 prism
Built-in filters	Color temperature conversion filters (HSC300RF/HSC300R) A: Cross filter B: 3200K (clear) C: 4300K D: 6300K
	ND filters 1: Clear 2: 1/4 ND 3: 1/16 ND 4: 1/64 ND

Input/output connectors

CCU	Optical fiber/triax connector (1)
LENS	12-pin (1)
VF	20-pin (1)
MIC 1 IN	XLR 3-pin, female (1)
AUDIO IN CH1, CH2	XLR 3-pin, female (1 each) For MIC: -60 dBu (variable up to -20 dBu by menu or HSCU300RF/HSCU300R operation), balanced For LINE: 0 dBu, balanced
INTERCOM	XLR 5-pin, female (1)
EARPHONE	Stereo minijack (1)
DC IN	XLR 4-pin (1), 10.5 V to 17 V DC
DC OUT	4-pin (1), 10.5 V to 17 V DC, Max. 0.5 A (It may be limited depending on the load and input conditions.) 2-pin (1), 10.5 V to 17 V DC, Max. 2.5 A (It may be limited depending on the load and input conditions.)
SDI	BNC type (1)
TEST OUT	BNC type (1)
PROMPTER/ GENLOCK/RET IN	BNC type (1), 1 Vp-p, 75 Ω
RET CTRL	6-pin (1)
REMOTE	8-pin (1)
TRACKER	10-pin (1)
USB	USB 2.0 Type A 4-pin (1) (for connecting USB drive)

Supplied accessories

Operation guide (1)
Operation manual (CD-ROM) (1)
Warranty (1) (HSC100RF/HSC100R)
Cable clamp belt (1 set)
Switch label (1)

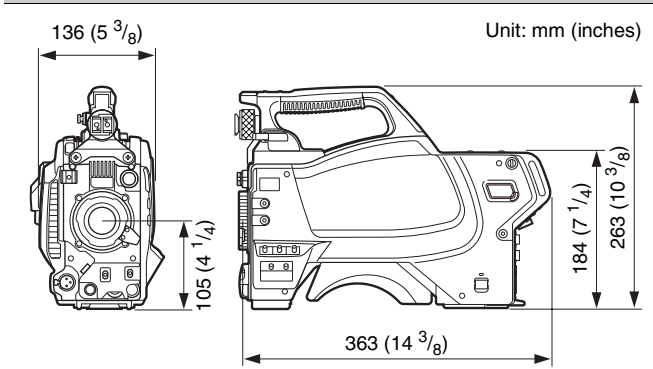
Optional accessories

HD Electronic Viewfinder HDVF-200 (2-type, monochrome) HDVF-550 (5-type, monochrome) HDVF-C35W (3.5-type, color) HDVF-C550W (5-type, color) HDVF-C730W (6.5-type, color)
Large Lens Adapter HDLA1500 (large lens + large viewfinder) HDLA1505 (large lens + small viewfinder)
Large Viewfinder Adapter HDLA1507 (small lens + large viewfinder)
A-1128-405-A Camera Hanger
CAC-12 Microphone Holder
CAC-6 Return Video Selector
VCT-14 Tripod Adapter
USB drive
A-8286-346-A Low-repulsion Shoulder Pad
A-6772-374-C Shoulder Strap
HZC-PSF3 Camera Operating Software

Related equipment

Camera Control Unit HSCU300RF, HSCU300R, HSCU-300, HXCU-100
MSU-1000/1500 Master Setup Unit
RCP-1000 series Remote Control Panel
RM-B170/B750 Remote Control Unit

Dimensions



Design and specifications are subject to change without notice.

Notes

- Always verify that the unit is operating properly before use. SONY WILL NOT BE LIABLE FOR DAMAGES OF ANY KIND INCLUDING, BUT NOT LIMITED TO, COMPENSATION OR REIMBURSEMENT ON ACCOUNT OF THE LOSS OF PRESENT OR PROSPECTIVE PROFITS DUE TO FAILURE OF THIS UNIT, EITHER DURING THE WARRANTY PERIOD OR AFTER EXPIRATION OF THE WARRANTY, OR FOR ANY OTHER REASON WHATSOEVER.
- SONY WILL NOT BE LIABLE FOR CLAIMS OF ANY KIND MADE BY USERS OF THIS UNIT OR MADE BY THIRD PARTIES.
- SONY WILL NOT BE LIABLE FOR THE TERMINATION OR DISCONTINUATION OF ANY SERVICES RELATED TO THIS UNIT THAT MAY RESULT DUE TO CIRCUMSTANCES OF ANY KIND.

Notice Concerning Software Governed by the GNU GPL/LGPL

This product includes software to which the GNU General Public License ("GPL") or GNU Lesser General Public License ("LGPL") applies. Under the terms of the GPL/LGPL, of which a copy is attached, you have the right to obtain, modify, and distribute copies of the source code of this software.

Package list

acl	glibc-libpthread_ptt	netbase
bash	gpm	net-tools
blktrace	grep	nfs-utils
busybox	iptables	oprofile
compcache	iputils	procinfo
coreutils	ksymoops	procps
diffutils	less	pump
directfb	libcap	setserial
dosfstools	libtool	tar
e2fsprogs	libusb	time
ethtool	linux-kernel	tofstools
findutils	lzo	util-linux-ng
fuse	memstat	vim
gawk	minicom	vsftpd
gdisk	mkcramfs	which
glib	module-init-tools	wireless-tools
glibc	mtt-utils	xz

To Obtain information on the source code and/or the source code for this software. Consult your nearest Sony Service.

The GNU General Public License (GPL)

Version 2, June 1991

Copyright (C) 1989, 1991 Free Software Foundation, Inc.
59 Temple Place, Suite 330, Boston, MA 02111-1307 USA
Everyone is permitted to copy and distribute verbatim copies of this license document, but changing it is not allowed.

Preamble

The licenses for most software are designed to take away your freedom to share and change it. By contrast, the GNU General Public License is intended to guarantee your freedom to share and change free software—to make sure the software is free for all its users. This General Public License applies to most of the Free Software Foundation's software and to any other program whose authors commit to using it. (Some other Free Software Foundation software is covered by the GNU Library General Public License instead.) You can apply it to your programs, too.

When we speak of free software, we are referring to freedom, not price. Our General Public Licenses are designed to make sure that you have the freedom to distribute copies of free software (and charge for this service if you wish), that you receive source code or can get it if you want it, that you can change the software or use pieces of it in new free programs; and that you know you can do these things.

To protect your rights, we need to make restrictions that forbid anyone to deny you these rights or to ask you to surrender the rights. These restrictions translate to certain responsibilities for you if you distribute copies of the software, or if you modify it.

For example, if you distribute copies of such a program, whether gratis or for a fee, you must give the recipients all the rights that you have. You must make sure that they, too, receive or can get the source code. And you must show them these terms so they know their rights.

We protect your rights with two steps: (1) copyright the software, and (2) offer you this license which gives you legal permission to copy, distribute and/or modify the software.

Also, for each author's protection and ours, we want to make certain that everyone understands that there is no warranty for this free software. If the software is modified by someone else and passed on, we want its recipients to know that what they have is not the original, so that any problems introduced by others will not reflect on the original authors' reputations.

Finally, any free program is threatened constantly by software patents. We wish to avoid the danger that redistributors of a free program will individually obtain patent licenses, in effect making the program proprietary. To prevent this, we have made it clear that any patent must be licensed for everyone's free use or not licensed at all.

The precise terms and conditions for copying, distribution and modification follow.

TERMS AND CONDITIONS FOR COPYING, DISTRIBUTION AND MODIFICATION

0. This License applies to any program or other work which contains a notice placed by the copyright holder saying it may be distributed under the terms of this General Public License. The "Program", below, refers to any such program or work, and a "work based on the Program" means either the Program or any derivative work under copyright law: that is to say, a work containing the Program or a portion of it, either verbatim or with modifications and/or translated into another language. (Hereinafter, translation is included without limitation in the term "modification".) Each licensee is addressed as "you".

Activities other than copying, distribution and modification are not covered by this License; they are outside its scope. The act of running the Program is not restricted, and the output from the Program is covered only if its contents constitute a work based on the Program (independent of having been made by running the Program). Whether that is true depends on what the Program does.

1. You may copy and distribute verbatim copies of the Program's source code as you receive it, in any medium, provided that you conspicuously and appropriately publish on each copy an appropriate copyright notice and disclaimer of warranty; keep intact all the notices that refer to this License and to the absence of any warranty; and give any other recipients of the Program a copy of this License along with the Program.

You may charge a fee for the physical act of transferring a copy, and you may at your option offer warranty protection in exchange for a fee.

2. You may modify your copy or copies of the Program or any portion of it, thus forming a work based on the Program, and copy and distribute such modifications or work under the terms of Section 1 above, provided that you also meet all of these conditions:

a) You must cause the modified files to carry prominent notices stating that you changed the files and the date of any change.

b) You must cause any work that you distribute or publish, that in whole or in part contains or is derived from the Program or any part thereof, to be licensed as a whole at no charge to all third parties under the terms of this License.

c) If the modified program normally reads commands interactively when run, you must cause it, when started running for such interactive use in the most ordinary way, to print or display an announcement including an appropriate copyright notice and a notice that there is no warranty (or else, saying that you provide a warranty) and that users may redistribute the program under these conditions, and telling the user how to view a copy of this License. (Exception: if the Program itself is interactive but does not normally print such an announcement, your work based on the Program is not required to print an announcement.)

These requirements apply to the modified work as a whole. If identifiable sections of that work are not derived from the Program, and can be reasonably considered independent and separate works in themselves, then this License, and its terms, do not apply to those sections when you

distribute them as separate works. But when you distribute the same sections as part of a whole which is a work based on the Program, the distribution of the whole must be on the terms of this License, whose permissions for other licensees extend to the entire whole, and thus to each and every part regardless of who wrote it.

Thus, it is not the intent of this section to claim rights or contest your rights to work written entirely by you; rather, the intent is to exercise the right to control the distribution of derivative or collective works based on the Program.

In addition, mere aggregation of another work not based on the Program with the Program (or with a work based on the Program) on a volume of a storage or distribution medium does not bring the other work under the scope of this License.

3. You may copy and distribute the Program (or a work based on it, under Section 2) in object code or executable form under the terms of Sections 1 and 2 above provided that you also do one of the following:
 - a) Accompany it with the complete corresponding machine-readable source code, which must be distributed under the terms of Sections 1 and 2 above on a medium customarily used for software interchange; or,
 - b) Accompany it with a written offer, valid for at least three years, to give any third party, for a charge no more than your cost of physically performing source distribution, a complete machine-readable copy of the corresponding source code, to be distributed under the terms of Sections 1 and 2 above on a medium customarily used for software interchange; or,
 - c) Accompany it with the information you received as to the offer to distribute corresponding source code. (This alternative is allowed only for noncommercial distribution and only if you received the program in object code or executable form with such an offer, in accord with Subsection b above.)

The source code for a work means the preferred form of the work for making modifications to it. For an executable work, complete source code means all the source code for all modules it contains, plus any associated interface definition files, plus the scripts used to control compilation and installation of the executable. However, as a special exception, the source code distributed need not include anything that is normally distributed (in either source or binary form) with the major components (compiler, kernel, and so on) of the operating system on which the executable runs, unless that component itself accompanies the executable.

If distribution of executable or object code is made by offering access to copy from a designated place, then offering equivalent access to copy the source code from the same place counts as distribution of the source code, even though third parties are not compelled to copy the source along with the object code.

4. You may not copy, modify, sublicense, or distribute the Program except as expressly provided under this License. Any attempt otherwise to copy, modify, sublicense or distribute the Program is void, and will automatically terminate your rights under this License. However, parties who have received copies, or rights, from you under this License will not have their licenses terminated so long as such parties remain in full compliance.
5. You are not required to accept this License, since you have not signed it. However, nothing else grants you permission to modify or distribute the Program or its derivative works. These actions are prohibited by law if you do not accept this License. Therefore, by modifying or distributing the Program (or any work based on the Program), you indicate your acceptance of this License to do so, and all its terms and conditions for copying, distributing or modifying the Program or works based on it.
6. Each time you redistribute the Program (or any work based on the Program), the recipient automatically receives a license from the original licensor to copy, distribute or modify the Program subject to these terms and conditions. You may not impose any further restrictions on the recipients' exercise of the rights granted herein. You are not responsible for enforcing compliance by third parties to this License.
7. If, as a consequence of a court judgment or allegation of patent infringement or for any other reason (not limited to patent issues), conditions are imposed

on you (whether by court order, agreement or otherwise) that contradict the conditions of this License, they do not excuse you from the conditions of this License. If you cannot distribute so as to satisfy simultaneously your obligations under this License and any other pertinent obligations, then as a consequence you may not distribute the Program at all. For example, if a patent license would not permit royalty-free redistribution of the Program by all those who receive copies directly or indirectly through you, then the only way you could satisfy both it and this License would be to refrain entirely from distribution of the Program.

If any portion of this section is held invalid or unenforceable under any particular circumstance, the balance of the section is intended to apply and the section as a whole is intended to apply in other circumstances.

It is not the purpose of this section to induce you to infringe any patents or other property right claims or to contest validity of any such claims; this section has the sole purpose of protecting the integrity of the free software distribution system, which is implemented by public license practices. Many people have made generous contributions to the wide range of software distributed through that system in reliance on consistent application of that system; it is up to the author/donor to decide if he or she is willing to distribute software through any other system and a licensee cannot impose that choice.

This section is intended to make thoroughly clear what is believed to be a consequence of the rest of this License.

8. If the distribution and/or use of the Program is restricted in certain countries either by patents or by copyrighted interfaces, the original copyright holder who places the Program under this License may add an explicit geographical distribution limitation excluding those countries, so that distribution is permitted only in or among countries not thus excluded. In such case, this License incorporates the limitation as if written in the body of this License.
9. The Free Software Foundation may publish revised and/or new versions of the General Public License from time to time. Such new versions will be similar in spirit to the present version, but may differ in detail to address new problems or concerns.

Each version is given a distinguishing version number. If the Program specifies a version number of this License which applies to it and "any later version", you have the option of following the terms and conditions either of that version or of any later version published by the Free Software Foundation. If the Program does not specify a version number of this License, you may choose any version ever published by the Free Software Foundation.
10. If you wish to incorporate parts of the Program into other free programs whose distribution conditions are different, write to the author to ask for permission. For software which is copyrighted by the Free Software Foundation, write to the Free Software Foundation; we sometimes make exceptions for this. Our decision will be guided by the two goals of preserving the free status of all derivatives of our free software and of promoting the sharing and reuse of software generally.

NO WARRANTY

11. BECAUSE THE PROGRAM IS LICENSED FREE OF CHARGE, THERE IS NO WARRANTY FOR THE PROGRAM, TO THE EXTENT PERMITTED BY APPLICABLE LAW. EXCEPT WHEN OTHERWISE STATED IN WRITING THE COPYRIGHT HOLDERS AND/OR OTHER PARTIES PROVIDE THE PROGRAM "AS IS" WITHOUT WARRANTY OF ANY KIND, EITHER EXPRESSED OR IMPLIED, INCLUDING, BUT NOT LIMITED TO, THE IMPLIED WARRANTIES OF MERCHANTABILITY AND FITNESS FOR A PARTICULAR PURPOSE. THE ENTIRE RISK AS TO THE QUALITY AND PERFORMANCE OF THE PROGRAM IS WITH YOU. SHOULD THE PROGRAM PROVE DEFECTIVE, YOU ASSUME THE COST OF ALL NECESSARY SERVICING, REPAIR OR CORRECTION.
12. IN NO EVENT UNLESS REQUIRED BY APPLICABLE LAW OR AGREED TO IN WRITING WILL ANY COPYRIGHT HOLDER, OR ANY OTHER PARTY WHO MAY MODIFY AND/OR REDISTRIBUTE THE PROGRAM AS PERMITTED ABOVE, BE LIABLE TO YOU FOR DAMAGES, INCLUDING ANY GENERAL, SPECIAL, INCIDENTAL OR CONSEQUENTIAL DAMAGES ARISING OUT OF THE USE OR INABILITY TO USE THE PROGRAM (INCLUDING BUT NOT LIMITED TO LOSS OF DATA OR DATA BEING RENDERED INACCURATE OR LOSSES SUSTAINED BY

YOU OR THIRD PARTIES OR A FAILURE OF THE PROGRAM TO OPERATE WITH ANY OTHER PROGRAMS), EVEN IF SUCH HOLDER OR OTHER PARTY HAS BEEN ADVISED OF THE POSSIBILITY OF SUCH DAMAGES.

END OF TERMS AND CONDITIONS

How to Apply These Terms to Your New Programs

If you develop a new program, and you want it to be of the greatest possible use to the public, the best way to achieve this is to make it free software which everyone can redistribute and change under these terms.

To do so, attach the following notices to the program. It is safest to attach them to the start of each source file to most effectively convey the exclusion of warranty; and each file should have at least the "copyright" line and a pointer to where the full notice is found.

One line to give the program's name and a brief idea of what it does.
Copyright (C) <year> <name of author>

This program is free software; you can redistribute it and/or modify it under the terms of the GNU General Public License as published by the Free Software Foundation; either version 2 of the License, or (at your option) any later version.

This program is distributed in the hope that it will be useful, but WITHOUT ANY WARRANTY; without even the implied warranty of MERCHANTABILITY or FITNESS FOR A PARTICULAR PURPOSE. See the GNU General Public License for more details.

You should have received a copy of the GNU General Public License along with this program; if not, write to the Free Software Foundation, Inc., 59 Temple Place, Suite 330, Boston, MA 02111-1307 USA

Also add information on how to contact you by electronic and paper mail.

If the program is interactive, make it output a short notice like this when it starts in an interactive mode:

Gnomovision version 69, Copyright (C) year name of author Gnomovision comes with ABSOLUTELY NO WARRANTY; for details type 'show w'. This is free software, and you are welcome to redistribute it under certain conditions; type 'show c' for details.

The hypothetical commands 'show w' and 'show c' should show the appropriate parts of the General Public License. Of course, the commands you use may be called something other than 'show w' and 'show c'; they could even be mouse-clicks or menu items--whatever suits your program.

You should also get your employer (if you work as a programmer) or your school, if any, to sign a "copyright disclaimer" for the program, if necessary. Here is a sample; alter the names:

Yoyodyne, Inc., hereby disclaims all copyright interest in the program 'Gnomovision' (which makes passes at compilers) written by James Hacker.

signature of Ty Coon, 1 April 1989
Ty Coon, President of Vice

This General Public License does not permit incorporating your program into proprietary programs. If your program is a subroutine library, you may consider it more useful to permit linking proprietary applications with the library. If this is what you want to do, use the GNU Library General Public License instead of this License.

GNU Lesser General Public License

Version 2.1, February 1999

Copyright (C) 1991, 1999 Free Software Foundation, Inc.
59 Temple Place, Suite 330, Boston, MA 02111-1307 USA
Everyone is permitted to copy and distribute verbatim copies of this license document, but changing it is not allowed.

[This is the first released version of the Lesser GPL. It also counts as the successor of the GNU Library Public License, version 2, hence the version number 2.1.]

Preamble

The licenses for most software are designed to take away your freedom to share and change it. By contrast, the GNU General Public Licenses are intended to guarantee your freedom to share and change free software--to make sure the software is free for all its users.

This license, the Lesser General Public License, applies to some specially designated software packages--typically libraries--of the Free Software Foundation and other authors who decide to use it. You can use it too, but we suggest you first think carefully about whether this license or the ordinary General Public License is the better strategy to use in any particular case, based on the explanations below.

When we speak of free software, we are referring to freedom of use, not price. Our General Public Licenses are designed to make sure that you have the freedom to distribute copies of free software (and charge for this service if you wish); that you receive source code or can get it if you want it; that you can change the software and use pieces of it in new free programs; and that you are informed that you can do these things.

To protect your rights, we need to make restrictions that forbid distributors to deny you these rights or to ask you to surrender these rights. These restrictions translate to certain responsibilities for you if you distribute copies of the library or if you modify it.

For example, if you distribute copies of the library, whether gratis or for a fee, you must give the recipients all the rights that we gave you. You must make sure that they, too, receive or can get the source code. If you link other code with the library, you must provide complete object files to the recipients, so that they can relink them with the library after making changes to the library and recompiling it. And you must show them these terms so they know their rights.

We protect your rights with a two-step method: (1) we copyright the library, and (2) we offer you this license, which gives you legal permission to copy, distribute and/or modify the library.

To protect each distributor, we want to make it very clear that there is no warranty for the free library. Also, if the library is modified by someone else and passed on, the recipients should know that what they have is not the original version, so that the original author's reputation will not be affected by problems that might be introduced by others.

Finally, software patents pose a constant threat to the existence of any free program. We wish to make sure that a company cannot effectively restrict the users of a free program by obtaining a restrictive license from a patent holder. Therefore, we insist that any patent license obtained for a version of the library must be consistent with the full freedom of use specified in this license.

Most GNU software, including some libraries, is covered by the ordinary GNU General Public License. This license, the GNU Lesser General Public License, applies to certain designated libraries, and is quite different from the ordinary General Public License. We use this license for certain libraries in order to permit linking those libraries into non-free programs.

When a program is linked with a library, whether statically or using a shared library, the combination of the two is legally speaking a combined work, a derivative of the original library. The ordinary General Public License therefore permits such linking only if the entire combination fits its criteria of freedom. The Lesser General Public License permits more lax criteria for linking other code with the library.

We call this license the "Lesser" General Public License because it does Less to protect the user's freedom than the ordinary General Public License. It also provides other free software developers Less of an advantage over competing non-free programs. These disadvantages are the reason we use the ordinary General Public License for many libraries. However, the Lesser license provides advantages in certain special circumstances.

For example, on rare occasions, there may be a special need to encourage the widest possible use of a certain library, so that it becomes a de-facto standard. To achieve this, non-free programs must be allowed to use the library. A more frequent case is that a free library does the same job as widely used non-free libraries. In this case, there is little to gain by limiting the free library to free software only, so we use the Lesser General Public License.

In other cases, permission to use a particular library in non-free programs enables a greater number of people to use a large body of free software. For

example, permission to use the GNU C Library in non-free programs enables many more people to use the whole GNU operating system, as well as its variant, the GNU/Linux operating system.

Although the Lesser General Public License is less protective of the users' freedom, it does ensure that the user of a program that is linked with the Library has the freedom and the wherewithal to run that program using a modified version of the Library.

The precise terms and conditions for copying, distribution and modification follow. Pay close attention to the difference between a "work based on the library" and a "work that uses the library". The former contains code derived from the library, whereas the latter must be combined with the library in order to run.

TERMS AND CONDITIONS FOR COPYING, DISTRIBUTION AND MODIFICATION

0. This License Agreement applies to any software library or other program which contains a notice placed by the copyright holder or other authorized party saying it may be distributed under the terms of this Lesser General Public License (also called "this License"). Each licensee is addressed as "you".

A "library" means a collection of software functions and/or data prepared so as to be conveniently linked with application programs (which use some of those functions and data) to form executables.

The "Library", below, refers to any such software library or work which has been distributed under these terms. A "work based on the Library" means either the Library or any derivative work under copyright law: that is to say, a work containing the Library or a portion of it, either verbatim or with modifications and/or translated straightforwardly into another language. (Hereinafter, translation is included without limitation in the term "modification".)

"Source code" for a work means the preferred form of the work for making modifications to it. For a library, complete source code means all the source code for all modules it contains, plus any associated interface definition files, plus the scripts used to control compilation and installation of the library.

Activities other than copying, distribution and modification are not covered by this License; they are outside its scope. The act of running a program using the Library is not restricted, and output from such a program is covered only if its contents constitute a work based on the Library (independent of the use of the Library in a tool for writing it). Whether that is true depends on what the Library does and what the program that uses the Library does.

1. You may copy and distribute verbatim copies of the Library's complete source code as you receive it, in any medium, provided that you conspicuously and appropriately publish on each copy an appropriate copyright notice and disclaimer of warranty; keep intact all the notices that refer to this License and to the absence of any warranty; and distribute a copy of this License along with the Library.

You may charge a fee for the physical act of transferring a copy, and you may at your option offer warranty protection in exchange for a fee.

2. You may modify your copy or copies of the Library or any portion of it, thus forming a work based on the Library, and copy and distribute such modifications or work under the terms of Section 1 above, provided that you also meet all of these conditions:

- a) The modified work must itself be a software library.
- b) You must cause the files modified to carry prominent notices stating that you changed the files and the date of any change.
- c) You must cause the whole of the work to be licensed at no charge to all third parties under the terms of this License.
- d) If a facility in the modified Library refers to a function or a table of data to be supplied by an application program that uses the facility, other than as an argument passed when the facility is invoked, then you must make a good faith effort to ensure that, in the event an application does not supply such function or table, the facility still operates, and performs whatever part of its purpose remains meaningful.

(For example, a function in a library to compute square roots has a purpose that is entirely well-defined independent of the application. Therefore, Subsection 2d requires that any application-supplied function or table used by this function must be optional: if the application does not supply it, the square root function must still compute square roots.)

These requirements apply to the modified work as a whole. If identifiable sections of that work are not derived from the Library, and can be reasonably considered independent and separate works in themselves, then this License, and its terms, do not apply to those sections when you distribute them as separate works. But when you distribute the same sections as part of a whole which is a work based on the Library, the distribution of the whole must be on the terms of this License, whose permissions for other licensees extend to the entire whole, and thus to each and every part regardless of who wrote it.

Thus, it is not the intent of this section to claim rights or contest your rights to work written entirely by you; rather, the intent is to exercise the right to control the distribution of derivative or collective works based on the Library.

In addition, mere aggregation of another work not based on the Library with the Library (or with a work based on the Library) on a volume of a storage or distribution medium does not bring the other work under the scope of this License.

3. You may opt to apply the terms of the ordinary GNU General Public License instead of this License to a given copy of the Library. To do this, you must alter all the notices that refer to this License, so that they refer to the ordinary GNU General Public License, version 2, instead of to this License. (If a newer version than version 2 of the ordinary GNU General Public License has appeared, then you can specify that version instead if you wish.) Do not make any other change in these notices.

Once this change is made in a given copy, it is irreversible for that copy, so the ordinary GNU General Public License applies to all subsequent copies and derivative works made from that copy.

This option is useful when you wish to copy part of the code of the Library into a program that is not a library.

4. You may copy and distribute the Library (or a portion or derivative of it, under Section 2) in object code or executable form under the terms of Sections 1 and 2 above provided that you accompany it with the complete corresponding machine-readable source code, which must be distributed under the terms of Sections 1 and 2 above on a medium customarily used for software interchange.

If distribution of object code is made by offering access to copy from a designated place, then offering equivalent access to copy the source code from the same place satisfies the requirement to distribute the source code, even though third parties are not compelled to copy the source along with the object code.

5. A program that contains no derivative of any portion of the Library, but is designed to work with the Library by being compiled or linked with it, is called a "work that uses the Library". Such a work, in isolation, is not a derivative work of the Library, and therefore falls outside the scope of this License.

However, linking a "work that uses the Library" with the Library creates an executable that is a derivative of the Library (because it contains portions of the Library), rather than a "work that uses the library". The executable is therefore covered by this License. Section 6 states terms for distribution of such executables.

When a "work that uses the Library" uses material from a header file that is part of the Library, the object code for the work may be a derivative work of the Library even though the source code is not. Whether this is true is especially significant if the work can be linked without the Library, or if the work is itself a library. The threshold for this to be true is not precisely defined by law.

If such an object file uses only numerical parameters, data structure layouts and accessors, and small macros and small inline functions (ten lines or less in length), then the use of the object file is unrestricted, regardless of whether it is legally a derivative work. (Executables containing this object code plus portions of the Library will still fall under Section 6.)

Otherwise, if the work is a derivative of the Library, you may distribute the object code for the work under the terms of Section 6. Any executables containing that work also fall under Section 6, whether or not they are linked directly with the Library itself.

6. As an exception to the Sections above, you may also combine or link a “work that uses the Library” with the Library to produce a work containing portions of the Library, and distribute that work under terms of your choice, provided that the terms permit modification of the work for the customer’s own use and reverse engineering for debugging such modifications.

You must give prominent notice with each copy of the work that the Library is used in it and that the Library and its use are covered by this License. You must supply a copy of this License. If the work during execution displays copyright notices, you must include the copyright notice for the Library among them, as well as a reference directing the user to the copy of this License. Also, you must do one of these things:

- a) Accompany the work with the complete corresponding machine-readable source code for the Library including whatever changes were used in the work (which must be distributed under Sections 1 and 2 above); and, if the work is an executable linked with the Library, with the complete machine-readable “work that uses the Library”, as object code and/or source code, so that the user can modify the Library and then relink to produce a modified executable containing the modified Library. (It is understood that the user who changes the contents of definitions files in the Library will not necessarily be able to recompile the application to use the modified definitions.)
- b) Use a suitable shared library mechanism for linking with the Library. A suitable mechanism is one that (1) uses at run time a copy of the library already present on the user’s computer system, rather than copying library functions into the executable, and (2) will operate properly with a modified version of the library, if the user installs one, as long as the modified version is interface-compatible with the version that the work was made with.
- c) Accompany the work with a written offer, valid for at least three years, to give the same user the materials specified in Subsection 6a, above, for a charge no more than the cost of performing this distribution.
- d) If distribution of the work is made by offering access to copy from a designated place, offer equivalent access to copy the above specified materials from the same place.
- e) Verify that the user has already received a copy of these materials or that you have already sent this user a copy.

For an executable, the required form of the “work that uses the Library” must include any data and utility programs needed for reproducing the executable from it. However, as a special exception, the materials to be distributed need not include anything that is normally distributed (in either source or binary form) with the major components (compiler, kernel, and so on) of the operating system on which the executable runs, unless that component itself accompanies the executable.

It may happen that this requirement contradicts the license restrictions of other proprietary libraries that do not normally accompany the operating system. Such a contradiction means you cannot use both them and the Library together in an executable that you distribute.

7. You may place library facilities that are a work based on the Library side-by-side in a single library together with other library facilities not covered by this License, and distribute such a combined library, provided that the separate distribution of the work based on the Library and of the other library facilities is otherwise permitted, and provided that you do these two things:
 - a) Accompany the combined library with a copy of the same work based on the Library, uncombined with any other library facilities. This must be distributed under the terms of the Sections above.
 - b) Give prominent notice with the combined library of the fact that part of it is a work based on the Library, and explaining where to find the accompanying uncombined form of the same work.
8. You may not copy, modify, sublicense, link with, or distribute the Library except as expressly provided under this License. Any attempt otherwise to

copy, modify, sublicense, link with, or distribute the Library is void, and will automatically terminate your rights under this License. However, parties who have received copies, or rights, from you under this License will not have their licenses terminated so long as such parties remain in full compliance.

9. You are not required to accept this License, since you have not signed it. However, nothing else grants you permission to modify or distribute the Library or its derivative works. These actions are prohibited by law if you do not accept this License. Therefore, by modifying or distributing the Library (or any work based on the Library), you indicate your acceptance of this License to do so, and all its terms and conditions for copying, distributing or modifying the Library or works based on it.
10. Each time you redistribute the Library (or any work based on the Library), the recipient automatically receives a license from the original licensor to copy, distribute, link with or modify the Library subject to these terms and conditions. You may not impose any further restrictions on the recipients’ exercise of the rights granted herein. You are not responsible for enforcing compliance by third parties with this License.
11. If, as a consequence of a court judgment or allegation of patent infringement or for any other reason (not limited to patent issues), conditions are imposed on you (whether by court order, agreement or otherwise) that contradict the conditions of this License, they do not excuse you from the conditions of this License. If you cannot distribute so as to satisfy simultaneously your obligations under this License and any other pertinent obligations, then as a consequence you may not distribute the Library at all. For example, if a patent license would not permit royalty-free redistribution of the Library by all those who receive copies directly or indirectly through you, then the only way you could satisfy both it and this License would be to refrain entirely from distribution of the Library.

If any portion of this section is held invalid or unenforceable under any particular circumstance, the balance of the section is intended to apply, and the section as a whole is intended to apply in other circumstances.

It is not the purpose of this section to induce you to infringe any patents or other property right claims or to contest validity of any such claims; this section has the sole purpose of protecting the integrity of the free software distribution system which is implemented by public license practices. Many people have made generous contributions to the wide range of software distributed through that system in reliance on consistent application of that system; it is up to the author/donor to decide if he or she is willing to distribute software through any other system and a licensee cannot impose that choice.

This section is intended to make thoroughly clear what is believed to be a consequence of the rest of this License.

12. If the distribution and/or use of the Library is restricted in certain countries either by patents or by copyrighted interfaces, the original copyright holder who places the Library under this License may add an explicit geographical distribution limitation excluding those countries, so that distribution is permitted only in or among countries not thus excluded. In such case, this License incorporates the limitation as if written in the body of this License.
13. The Free Software Foundation may publish revised and/or new versions of the Lesser General Public License from time to time. Such new versions will be similar in spirit to the present version, but may differ in detail to address new problems or concerns.

Each version is given a distinguishing version number. If the Library specifies a version number of this License which applies to it and “any later version”, you have the option of following the terms and conditions either of that version or of any later version published by the Free Software Foundation. If the Library does not specify a license version number, you may choose any version ever published by the Free Software Foundation.

14. If you wish to incorporate parts of the Library into other free programs whose distribution conditions are incompatible with these, write to the author to ask for permission. For software which is copyrighted by the Free Software Foundation, write to the Free Software Foundation; we sometimes make exceptions for this. Our decision will be guided by the two goals of preserving the free status of all derivatives of our free software and of promoting the sharing and reuse of software generally.

NO WARRANTY

15. BECAUSE THE LIBRARY IS LICENSED FREE OF CHARGE, THERE IS NO WARRANTY FOR THE LIBRARY, TO THE EXTENT PERMITTED BY APPLICABLE LAW. EXCEPT WHEN OTHERWISE STATED IN WRITING THE COPYRIGHT HOLDERS AND/OR OTHER PARTIES PROVIDE THE LIBRARY "AS IS" WITHOUT WARRANTY OF ANY KIND, EITHER EXPRESSED OR IMPLIED, INCLUDING, BUT NOT LIMITED TO, THE IMPLIED WARRANTIES OF MERCHANTABILITY AND FITNESS FOR A PARTICULAR PURPOSE. THE ENTIRE RISK AS TO THE QUALITY AND PERFORMANCE OF THE LIBRARY IS WITH YOU. SHOULD THE LIBRARY PROVE DEFECTIVE, YOU ASSUME THE COST OF ALL NECESSARY SERVICING, REPAIR OR CORRECTION.
16. IN NO EVENT UNLESS REQUIRED BY APPLICABLE LAW OR AGREED TO IN WRITING WILL ANY COPYRIGHT HOLDER, OR ANY OTHER PARTY WHO MAY MODIFY AND/OR REDISTRIBUTE THE LIBRARY AS PERMITTED ABOVE, BE LIABLE TO YOU FOR DAMAGES, INCLUDING ANY GENERAL, SPECIAL, INCIDENTAL OR CONSEQUENTIAL DAMAGES ARISING OUT OF THE USE OR INABILITY TO USE THE LIBRARY (INCLUDING BUT NOT LIMITED TO LOSS OF DATA OR DATA BEING RENDERED INACCURATE OR LOSSES SUSTAINED BY YOU OR THIRD PARTIES OR A FAILURE OF THE LIBRARY TO OPERATE WITH ANY OTHER SOFTWARE), EVEN IF SUCH HOLDER OR OTHER PARTY HAS BEEN ADVISED OF THE POSSIBILITY OF SUCH DAMAGES.

END OF TERMS AND CONDITIONS

How to Apply These Terms to Your New Libraries

If you develop a new library, and you want it to be of the greatest possible use to the public, we recommend making it free software that everyone can redistribute and change. You can do so by permitting redistribution under these terms (or, alternatively, under the terms of the ordinary General Public License).

To apply these terms, attach the following notices to the library. It is safest to attach them to the start of each source file to most effectively convey the exclusion of warranty; and each file should have at least the "copyright" line and a pointer to where the full notice is found.

<one line to give the library's name and an idea of what it does.>
Copyright (C) <year> <name of author>

This library is free software; you can redistribute it and/or modify it under the terms of the GNU Lesser General Public License as published by the Free Software Foundation; either version 2.1 of the License, or (at your option) any later version.

This library is distributed in the hope that it will be useful, but WITHOUT ANY WARRANTY; without even the implied warranty of MERCHANTABILITY or FITNESS FOR A PARTICULAR PURPOSE. See the GNU Lesser General Public License for more details.

You should have received a copy of the GNU Lesser General Public License along with this library; if not, write to the Free Software Foundation, Inc., 59 Temple Place, Suite 330, Boston, MA 02111-1307 USA

Also add information on how to contact you by electronic and paper mail. You should also get your employer (if you work as a programmer) or your school, if any, to sign a "copyright disclaimer" for the library, if necessary. Here is a sample; alter the names:

Yoyodyne, Inc., hereby disclaims all copyright interest in the library 'Frob' (a library for tweaking knobs) written by James Random Hacker.

signature of Ty Coon, 1 April 1990
Ty Coon, President of Vice

That's all there is to it!

This product includes software portmap to which the license below applies. Please note that we cannot respond to inquiries regarding the content of the source code.

Copyright (c) 1990 The Regents of the University of California.
All rights reserved.

Redistribution and use in source and binary forms, with or without modification, are permitted provided that the following conditions are met:

1. Redistributions of source code must retain the above copyright notice, this list of conditions and the following disclaimer.
2. Redistributions in binary form must reproduce the above copyright notice, this list of conditions and the following disclaimer in the documentation and/or other materials provided with the distribution.
3. All advertising materials mentioning features or use of this software must display the following acknowledgement:
This product includes software developed by the University of California, Berkeley and its contributors.
4. Neither the name of the University nor the names of its contributors may be used to endorse or promote products derived from this software without specific prior written permission.

THIS SOFTWARE IS PROVIDED BY THE REGENTS AND CONTRIBUTORS "AS IS" AND ANY EXPRESS OR IMPLIED WARRANTIES, INCLUDING, BUT NOT LIMITED TO, THE IMPLIED WARRANTIES OF MERCHANTABILITY AND FITNESS FOR A PARTICULAR PURPOSE ARE DISCLAIMED. IN NO EVENT SHALL THE REGENTS OR CONTRIBUTORS BE LIABLE FOR ANY DIRECT, INDIRECT, INCIDENTAL, SPECIAL, EXEMPLARY, OR CONSEQUENTIAL DAMAGES (INCLUDING, BUT NOT LIMITED TO, PROCUREMENT OF SUBSTITUTE GOODS OR SERVICES; LOSS OF USE, DATA, OR PROFITS; OR BUSINESS INTERRUPTION) HOWEVER CAUSED AND ON ANY THEORY OF LIABILITY, WHETHER IN CONTRACT, STRICT LIABILITY, OR TORT (INCLUDING NEGLIGENCE OR OTHERWISE) ARISING IN ANY WAY OUT OF THE USE OF THIS SOFTWARE, EVEN IF ADVISED OF THE POSSIBILITY OF SUCH DAMAGE.

This product includes software trace to which the license below applies. Please note that we cannot respond to inquiries regarding the content of the source code.

Copyright (c) 1991, 1992 Paul Kranenburg <pk@cs.few.eur.nl>
Copyright (c) 1993 Branko Lankester <branko@hacktic.nl>
Copyright (c) 1993 Ulrich Pegelow <pegelow@moorea.uni-muenster.de>
Copyright (c) 1995, 1996 Michael Elizabeth Chastain
<mec@duracef.shout.net>
Copyright (c) 1993, 1994, 1995, 1996 Rick Sladkey <jrs@world.std.com>
Copyright (C) 1998-2001 Wichert Akkerman <wakkerma@deephackmode.org>
All rights reserved.

Redistribution and use in source and binary forms, with or without modification, are permitted provided that the following conditions are met:

1. Redistributions of source code must retain the above copyright notice, this list of conditions and the following disclaimer.
2. Redistributions in binary form must reproduce the above copyright notice, this list of conditions and the following disclaimer in the documentation and/or other materials provided with the distribution.
3. The name of the author may not be used to endorse or promote products derived from this software without specific prior written permission.

THIS SOFTWARE IS PROVIDED BY THE AUTHOR "AS IS" AND ANY EXPRESS OR IMPLIED WARRANTIES, INCLUDING, BUT NOT LIMITED TO, THE IMPLIED WARRANTIES OF MERCHANTABILITY AND FITNESS FOR A PARTICULAR PURPOSE ARE DISCLAIMED. IN NO EVENT SHALL THE AUTHOR BE LIABLE FOR ANY DIRECT, INDIRECT, INCIDENTAL, SPECIAL, EXEMPLARY, OR CONSEQUENTIAL DAMAGES (INCLUDING, BUT NOT LIMITED TO, PROCUREMENT OF SUBSTITUTE GOODS OR SERVICES; LOSS OF USE, DATA, OR PROFITS; OR BUSINESS INTERRUPTION) HOWEVER CAUSED AND ON ANY THEORY OF LIABILITY, WHETHER IN CONTRACT, STRICT LIABILITY, OR TORT (INCLUDING NEGLIGENCE OR OTHERWISE) ARISING IN ANY WAY OUT OF THE USE OF THIS SOFTWARE, EVEN IF ADVISED OF THE POSSIBILITY OF SUCH DAMAGE.

This product includes software libxml2 to which the license below applies. Please note that we cannot respond to inquiries regarding the content of the source code.

Copyright (C) 1998-2003 Daniel Veillard. All Rights Reserved.

Permission is hereby granted, free of charge, to any person obtaining a copy of this software and associated documentation files (the "Software"), to deal in the Software without restriction, including without limitation the rights to use, copy, modify, merge, publish, distribute, sublicense, and/or sell copies of the Software, and to permit persons to whom the Software is furnished to do so, subject to the following conditions:

The above copyright notice and this permission notice shall be included in all copies or substantial portions of the Software.

THE SOFTWARE IS PROVIDED "AS IS", WITHOUT WARRANTY OF ANY KIND, EXPRESS OR IMPLIED, INCLUDING BUT NOT LIMITED TO THE WARRANTIES OF MERCHANTABILITY, FITNESS FOR A PARTICULAR PURPOSE AND NONINFRINGEMENT. IN NO EVENT SHALL THE DANIEL VEILLARD BE LIABLE FOR ANY CLAIM, DAMAGES OR OTHER LIABILITY, WHETHER IN AN ACTION OF CONTRACT, TORT OR OTHERWISE, ARISING FROM, OUT OF OR IN CONNECTION WITH THE SOFTWARE OR THE USE OR OTHER DEALINGS IN THE SOFTWARE.

Except as contained in this notice, the name of Daniel Veillard shall not be used in advertising or otherwise to promote the sale, use or other dealings in this Software without prior written authorization from him.

This product includes software developed by the OpenSSL Project for use in the OpenSSL Toolkit. (<http://www.openssl.org/>). Please note that we cannot respond to inquiries regarding the content of the source code.

OpenSSL License

Copyright (c) 1998-2011 The OpenSSL Project. All rights reserved.

Redistribution and use in source and binary forms, with or without modification, are permitted provided that the following conditions are met:

1. Redistributions of source code must retain the above copyright notice, this list of conditions and the following disclaimer.
2. Redistributions in binary form must reproduce the above copyright notice, this list of conditions and the following disclaimer in the documentation and/or other materials provided with the distribution.
3. All advertising materials mentioning features or use of this software must display the following acknowledgment:
"This product includes software developed by the OpenSSL Project for use in the OpenSSL Toolkit. (<http://www.openssl.org/>)"
4. The names "OpenSSL Toolkit" and "OpenSSL Project" must not be used to endorse or promote products derived from this software without prior written permission. For written permission, please contact openssl-core@openssl.org.
5. Products derived from this software may not be called "OpenSSL" nor may "OpenSSL" appear in their names without prior written permission of the OpenSSL Project.
6. Redistributions of any form whatsoever must retain the following acknowledgment:
"This product includes software developed by the OpenSSL Project for use in the OpenSSL Toolkit (<http://www.openssl.org/>)"

THIS SOFTWARE IS PROVIDED BY THE OpenSSL PROJECT "AS IS" AND ANY EXPRESSED OR IMPLIED WARRANTIES, INCLUDING, BUT NOT LIMITED TO, THE IMPLIED WARRANTIES OF MERCHANTABILITY AND FITNESS FOR A PARTICULAR PURPOSE ARE DISCLAIMED. IN NO EVENT SHALL THE OpenSSL PROJECT OR ITS CONTRIBUTORS BE LIABLE FOR ANY DIRECT, INDIRECT, INCIDENTAL, SPECIAL, EXEMPLARY, OR CONSEQUENTIAL DAMAGES (INCLUDING, BUT NOT LIMITED TO, PROCUREMENT OF SUBSTITUTE GOODS OR SERVICES; LOSS OF USE, DATA, OR PROFITS; OR BUSINESS INTERRUPTION) HOWEVER CAUSED AND ON ANY THEORY OF LIABILITY, WHETHER IN CONTRACT, STRICT LIABILITY, OR TORT (INCLUDING NEGLIGENCE OR OTHERWISE)

ARISING IN ANY WAY OUT OF THE USE OF THIS SOFTWARE, EVEN IF ADVISED OF THE POSSIBILITY OF SUCH DAMAGE.

This product includes cryptographic software written by Eric Young (ey@cryptsoft.com). This product includes software written by Tim Hudson (tjh@cryptsoft.com).

Original SSLeay License

Copyright (C) 1995-1998 Eric Young (ey@cryptsoft.com)
All rights reserved.

This package is an SSL implementation written by Eric Young (ey@cryptsoft.com). The implementation was written so as to conform with Netscapes SSL.

This library is free for commercial and non-commercial use as long as the following conditions are aheared to. The following conditions apply to all code found in this distribution, be it the RC4, RSA, lhash, DES, etc., code; not just the SSL code. The SSL documentation included with this distribution is covered by the same copyright terms except that the holder is Tim Hudson (tjh@cryptsoft.com).

Copyright remains Eric Young's, and as such any Copyright notices in the code are not to be removed.

If this package is used in a product, Eric Young should be given attribution as the author of the parts of the library used.

This can be in the form of a textual message at program startup or in documentation (online or textual) provided with the package.

Redistribution and use in source and binary forms, with or without modification, are permitted provided that the following conditions are met:

1. Redistributions of source code must retain the copyright notice, this list of conditions and the following disclaimer.
2. Redistributions in binary form must reproduce the above copyright notice, this list of conditions and the following disclaimer in the documentation and/or other materials provided with the distribution.
3. All advertising materials mentioning features or use of this software must display the following acknowledgement:
"This product includes cryptographic software written by Eric Young (ey@cryptsoft.com)"
The word 'cryptographic' can be left out if the rouines from the library being used are not cryptographic related :-).
4. If you include any Windows specific code (or a derivative thereof) from the apps directory (application code) you must include an acknowledgement:
"This product includes software written by Tim Hudson (tjh@cryptsoft.com)"

THIS SOFTWARE IS PROVIDED BY ERIC YOUNG "AS IS" AND ANY EXPRESS OR IMPLIED WARRANTIES, INCLUDING, BUT NOT LIMITED TO, THE IMPLIED WARRANTIES OF MERCHANTABILITY AND FITNESS FOR A PARTICULAR PURPOSE ARE DISCLAIMED. IN NO EVENT SHALL THE AUTHOR OR CONTRIBUTORS BE LIABLE FOR ANY DIRECT, INDIRECT, INCIDENTAL, SPECIAL, EXEMPLARY, OR CONSEQUENTIAL DAMAGES (INCLUDING, BUT NOT LIMITED TO, PROCUREMENT OF SUBSTITUTE GOODS OR SERVICES; LOSS OF USE, DATA, OR PROFITS; OR BUSINESS INTERRUPTION) HOWEVER CAUSED AND ON ANY THEORY OF LIABILITY, WHETHER IN CONTRACT, STRICT LIABILITY, OR TORT (INCLUDING NEGLIGENCE OR OTHERWISE) ARISING IN ANY WAY OUT OF THE USE OF THIS SOFTWARE, EVEN IF ADVISED OF THE POSSIBILITY OF SUCH DAMAGE.

The licence and distribution terms for any publically available version or derivative of this code cannot be changed. i.e. this code cannot simply be copied and put under another distribution licence [including the GNU Public Licence.]

This product includes software dhcplclient to which the license below applies. Please note that we cannot respond to inquiries regarding the content of the source code.

Copyright © 2004-2011 by Internet Systems Consortium, Inc. ("ISC")
Copyright © 1995-2003 by Internet Software Consortium

Permission to use, copy, modify, and/or distribute this software for any purpose with or without fee is hereby granted, provided that the above copyright notice and this permission notice appear in all copies.

THE SOFTWARE IS PROVIDED "AS IS" AND ISC DISCLAIMS ALL WARRANTIES WITH REGARD TO THIS SOFTWARE INCLUDING ALL IMPLIED WARRANTIES OF MERCHANTABILITY AND FITNESS. IN NO EVENT SHALL ISC BE LIABLE FOR ANY SPECIAL, DIRECT, INDIRECT, OR CONSEQUENTIAL DAMAGES OR ANY DAMAGES WHATSOEVER RESULTING FROM LOSS OF USE, DATA OR PROFITS, WHETHER IN AN ACTION OF CONTRACT, NEGLIGENCE OR OTHER TORTIOUS ACTION, ARISING OUT OF OR IN CONNECTION WITH THE USE OR PERFORMANCE OF THIS SOFTWARE.

This product includes software openssh to which the license below applies. Please note that we cannot respond to inquiries regarding the content of the source code.

The licences which components of this software fall under are as follows. First, we will summarize and say that all components are under a BSD licence, or a licence more free than that.

OpenSSH contains no GPL code.

- 1)
Copyright (c) 1995 Tatu Ylonen <yo@cs.hut.fi>, Espoo, Finland
All rights reserved

As far as I am concerned, the code I have written for this software can be used freely for any purpose. Any derived versions of this software must be clearly marked as such, and if the derived work is incompatible with the protocol description in the RFC file, it must be called by a name other than "ssh" or "Secure Shell".

[Tatu continues]

However, I am not implying to give any licenses to any patents or copyrights held by third parties, and the software includes parts that are not under my direct control. As far as I know, all included source code is used in accordance with the relevant license agreements and can be used freely for any purpose (the GNU license being the most restrictive); see below for details.

[However, none of that term is relevant at this point in time. All of these restrictively licenced software components which he talks about have been removed from OpenSSH, i.e.,

- RSA is no longer included, found in the OpenSSL library
- IDEA is no longer included, its use is deprecated
- DES is now external, in the OpenSSL library
- GMP is no longer used, and instead we call BN code from OpenSSL
- Zlib is now external, in a library
- The make-ssh-known-hosts script is no longer included
- TSS has been removed
- MD5 is now external, in the OpenSSL library
- RC4 support has been replaced with ARC4 support from OpenSSL
- Blowfish is now external, in the OpenSSL library

[The licence continues]

Note that any information and cryptographic algorithms used in this software are publicly available on the Internet and at any major bookstore, scientific library, and patent office worldwide. More information can be found e.g. at "<http://www.cs.hut.fi/crypto>".

The legal status of this program is some combination of all these permissions and restrictions. Use only at your own responsibility. You will be responsible for any legal consequences yourself; I am not making any claims whether possessing or using this is legal or not in your country, and I am not taking any responsibility on your behalf.

NO WARRANTY

BECAUSE THE PROGRAM IS LICENSED FREE OF CHARGE, THERE IS NO WARRANTY FOR THE PROGRAM, TO THE EXTENT PERMITTED BY APPLICABLE LAW. EXCEPT WHEN OTHERWISE STATED IN WRITING

THE COPYRIGHT HOLDERS AND/OR OTHER PARTIES PROVIDE THE PROGRAM "AS IS" WITHOUT WARRANTY OF ANY KIND, EITHER EXPRESSED OR IMPLIED, INCLUDING, BUT NOT LIMITED TO, THE IMPLIED WARRANTIES OF MERCHANTABILITY AND FITNESS FOR A PARTICULAR PURPOSE. THE ENTIRE RISK AS TO THE QUALITY AND PERFORMANCE OF THE PROGRAM IS WITH YOU. SHOULD THE PROGRAM PROVE DEFECTIVE, YOU ASSUME THE COST OF ALL NECESSARY SERVICING, REPAIR OR CORRECTION.

IN NO EVENT UNLESS REQUIRED BY APPLICABLE LAW OR AGREED TO IN WRITING WILL ANY COPYRIGHT HOLDER, OR ANY OTHER PARTY WHO MAY MODIFY AND/OR REDISTRIBUTE THE PROGRAM AS PERMITTED ABOVE, BE LIABLE TO YOU FOR DAMAGES, INCLUDING ANY GENERAL, SPECIAL, INCIDENTAL OR CONSEQUENTIAL DAMAGES ARISING OUT OF THE USE OR INABILITY TO USE THE PROGRAM (INCLUDING BUT NOT LIMITED TO LOSS OF DATA OR DATA BEING RENDERED INACCURATE OR LOSSES SUSTAINED BY YOU OR THIRD PARTIES OR A FAILURE OF THE PROGRAM TO OPERATE WITH ANY OTHER PROGRAMS), EVEN IF SUCH HOLDER OR OTHER PARTY HAS BEEN ADVISED OF THE POSSIBILITY OF SUCH DAMAGES.

- 2)
The 32-bit CRC compensation attack detector in deattack.c was contributed by CORE SDI S.A. under a BSD-style license.

Cryptographic attack detector for ssh - source code

Copyright (c) 1998 CORE SDI S.A., Buenos Aires, Argentina.

All rights reserved. Redistribution and use in source and binary forms, with or without modification, are permitted provided that this copyright notice is retained.

THIS SOFTWARE IS PROVIDED "AS IS" AND ANY EXPRESS OR IMPLIED WARRANTIES ARE DISCLAIMED. IN NO EVENT SHALL CORE SDI S.A. BE LIABLE FOR ANY DIRECT, INDIRECT, INCIDENTAL, SPECIAL, EXEMPLARY OR CONSEQUENTIAL DAMAGES RESULTING FROM THE USE OR MISUSE OF THIS SOFTWARE.

Ariel Futoransky <futo@core-sdi.com>
<<http://www.core-sdi.com>>

- 3)
ssh-keyscan was contributed by David Mazieres under a BSD-style license.

Copyright 1995, 1996 by David Mazieres <dm@lcs.mit.edu>.

Modification and redistribution in source and binary forms is permitted provided that due credit is given to the author and the OpenBSD project by leaving this copyright notice intact.

- 4)
The Rijndael implementation by Vincent Rijmen, Antoon Bosselaers and Paulo Barreto is in the public domain and distributed with the following license:

@version 3.0 (December 2000)

Optimised ANSI C code for the Rijndael cipher (now AES)

@author Vincent Rijmen <vincent.rijmen@esat.kuleuven.ac.be>
@author Antoon Bosselaers <antoon.bosselaers@esat.kuleuven.ac.be>
@author Paulo Barreto <paulo.barreto@terra.com.br>

This code is hereby placed in the public domain.

THIS SOFTWARE IS PROVIDED BY THE AUTHORS "AS IS" AND ANY EXPRESS OR IMPLIED WARRANTIES, INCLUDING, BUT NOT LIMITED TO, THE IMPLIED WARRANTIES OF MERCHANTABILITY AND FITNESS FOR A PARTICULAR PURPOSE ARE DISCLAIMED. IN NO EVENT SHALL THE AUTHORS OR CONTRIBUTORS BE LIABLE FOR ANY DIRECT, INDIRECT, INCIDENTAL, SPECIAL, EXEMPLARY, OR CONSEQUENTIAL DAMAGES (INCLUDING, BUT NOT LIMITED TO, PROCUREMENT OF SUBSTITUTE GOODS OR SERVICES; LOSS OF USE, DATA, OR PROFITS; OR BUSINESS INTERRUPTION) HOWEVER CAUSED AND ON ANY THEORY OF LIABILITY, WHETHER IN

CONTRACT, STRICT LIABILITY, OR TORT (INCLUDING NEGLIGENCE OR OTHERWISE) ARISING IN ANY WAY OUT OF THE USE OF THIS SOFTWARE, EVEN IF ADVISED OF THE POSSIBILITY OF SUCH DAMAGE.

5)

One component of the ssh source code is under a 3-clause BSD license, held by the University of California, since we pulled these parts from original Berkeley code.

Copyright (c) 1983, 1990, 1992, 1993, 1995
The Regents of the University of California. All rights reserved.

Redistribution and use in source and binary forms, with or without modification, are permitted provided that the following conditions are met:

1. Redistributions of source code must retain the above copyright notice, this list of conditions and the following disclaimer.
2. Redistributions in binary form must reproduce the above copyright notice, this list of conditions and the following disclaimer in the documentation and/or other materials provided with the distribution.
3. Neither the name of the University nor the names of its contributors may be used to endorse or promote products derived from this software without specific prior written permission.

THIS SOFTWARE IS PROVIDED BY THE REGENTS AND CONTRIBUTORS ``AS IS'' AND ANY EXPRESS OR IMPLIED WARRANTIES, INCLUDING, BUT NOT LIMITED TO, THE IMPLIED WARRANTIES OF MERCHANTABILITY AND FITNESS FOR A PARTICULAR PURPOSE ARE DISCLAIMED. IN NO EVENT SHALL THE REGENTS OR CONTRIBUTORS BE LIABLE FOR ANY DIRECT, INDIRECT, INCIDENTAL, SPECIAL, EXEMPLARY, OR CONSEQUENTIAL DAMAGES (INCLUDING, BUT NOT LIMITED TO, PROCUREMENT OF SUBSTITUTE GOODS OR SERVICES; LOSS OF USE, DATA, OR PROFITS; OR BUSINESS INTERRUPTION) HOWEVER CAUSED AND ON ANY THEORY OF LIABILITY, WHETHER IN CONTRACT, STRICT LIABILITY, OR TORT (INCLUDING NEGLIGENCE OR OTHERWISE) ARISING IN ANY WAY OUT OF THE USE OF THIS SOFTWARE, EVEN IF ADVISED OF THE POSSIBILITY OF SUCH DAMAGE.

6)

Remaining components of the software are provided under a standard 2-term BSD licence with the following names as copyright holders:

Markus Friedl
Theo de Raadt
Niels Provos
Dug Song
Aaron Campbell
Damien Miller
Kevin Steves
Daniel Kouril
Wesley Griffin
Per Allansson
Nils Nordman
Simon Wilkinson

Portable OpenSSH additionally includes code from the following copyright holders, also under the 2-term BSD license:

Ben Lindstrom
Tim Rice
Andre Lucas
Chris Adams
Corinna Vinschen
Cray Inc.
Denis Parker
Gert Doering
Jakob Schlyter
Jason Downs
Juha Yrjölä
Michael Stone
Networks Associates Technology, Inc.
Solar Designer
Todd C. Miller
Wayne Schroeder
William Jones
Darren Tucker

Sun Microsystems
The SCO Group
Daniel Walsh

Redistribution and use in source and binary forms, with or without modification, are permitted provided that the following conditions are met:

1. Redistributions of source code must retain the above copyright notice, this list of conditions and the following disclaimer.
2. Redistributions in binary form must reproduce the above copyright notice, this list of conditions and the following disclaimer in the documentation and/or other materials provided with the distribution.

THIS SOFTWARE IS PROVIDED BY THE AUTHOR ``AS IS'' AND ANY EXPRESS OR IMPLIED WARRANTIES, INCLUDING, BUT NOT LIMITED TO, THE IMPLIED WARRANTIES OF MERCHANTABILITY AND FITNESS FOR A PARTICULAR PURPOSE ARE DISCLAIMED. IN NO EVENT SHALL THE AUTHOR BE LIABLE FOR ANY DIRECT, INDIRECT, INCIDENTAL, SPECIAL, EXEMPLARY, OR CONSEQUENTIAL DAMAGES (INCLUDING, BUT NOT LIMITED TO, PROCUREMENT OF SUBSTITUTE GOODS OR SERVICES; LOSS OF USE, DATA, OR PROFITS; OR BUSINESS INTERRUPTION) HOWEVER CAUSED AND ON ANY THEORY OF LIABILITY, WHETHER IN CONTRACT, STRICT LIABILITY, OR TORT (INCLUDING NEGLIGENCE OR OTHERWISE) ARISING IN ANY WAY OUT OF THE USE OF THIS SOFTWARE, EVEN IF ADVISED OF THE POSSIBILITY OF SUCH DAMAGE.

8) Portable OpenSSH contains the following additional licenses:

a) md5crypt.c, md5crypt.h

"THE BEER-WARE LICENSE" (Revision 42):
<phk@login.dknet.dk> wrote this file. As long as you retain this notice you can do whatever you want with this stuff. If we meet some day, and you think this stuff is worth it, you can buy me a beer in return. Poul-Henning Kamp

b) snprintf replacement

Copyright Patrick Powell 1995
This code is based on code written by Patrick Powell (papowell@astart.com) It may be used for any purpose as long as this notice remains intact on all source code distributions

c) Compatibility code (openbsd-compat)

Apart from the previously mentioned licenses, various pieces of code in the openbsd-compat/ subdirectory are licensed as follows:

Some code is licensed under a 3-term BSD license, to the following copyright holders:

Todd C. Miller
Theo de Raadt
Damien Miller
Eric P. Allman
The Regents of the University of California
Constantin S. Svintsoff

Redistribution and use in source and binary forms, with or without modification, are permitted provided that the following conditions are met:

1. Redistributions of source code must retain the above copyright notice, this list of conditions and the following disclaimer.
2. Redistributions in binary form must reproduce the above copyright notice, this list of conditions and the following disclaimer in the documentation and/or other materials provided with the distribution.
3. Neither the name of the University nor the names of its contributors may be used to endorse or promote products derived from this software without specific prior written permission.

THIS SOFTWARE IS PROVIDED BY THE REGENTS AND CONTRIBUTORS ``AS IS'' AND ANY EXPRESS OR IMPLIED WARRANTIES, INCLUDING, BUT NOT LIMITED TO, THE IMPLIED WARRANTIES OF MERCHANTABILITY AND FITNESS FOR A PARTICULAR PURPOSE ARE DISCLAIMED. IN NO EVENT SHALL THE REGENTS OR CONTRIBUTORS BE LIABLE FOR ANY DIRECT, INDIRECT, INCIDENTAL, SPECIAL, EXEMPLARY, OR

CONSEQUENTIAL DAMAGES (INCLUDING, BUT NOT LIMITED TO, PROCUREMENT OF SUBSTITUTE GOODS OR SERVICES; LOSS OF USE, DATA, OR PROFITS; OR BUSINESS INTERRUPTION) HOWEVER CAUSED AND ON ANY THEORY OF LIABILITY, WHETHER IN CONTRACT, STRICT LIABILITY, OR TORT (INCLUDING NEGLIGENCE OR OTHERWISE) ARISING IN ANY WAY OUT OF THE USE OF THIS SOFTWARE, EVEN IF ADVISED OF THE POSSIBILITY OF SUCH DAMAGE.

Some code is licensed under an ISC-style license, to the following copyright holders:

Internet Software Consortium.
Todd C. Miller
Reyk Floeter
Chad Mynhier

Permission to use, copy, modify, and distribute this software for any purpose with or without fee is hereby granted, provided that the above copyright notice and this permission notice appear in all copies.

THE SOFTWARE IS PROVIDED "AS IS" AND TODD C. MILLER DISCLAIMS ALL WARRANTIES WITH REGARD TO THIS SOFTWARE INCLUDING ALL IMPLIED WARRANTIES OF MERCHANTABILITY AND FITNESS. IN NO EVENT SHALL TODD C. MILLER BE LIABLE FOR ANY SPECIAL, DIRECT, INDIRECT, OR CONSEQUENTIAL DAMAGES OR ANY DAMAGES WHATSOEVER RESULTING FROM LOSS OF USE, DATA OR PROFITS, WHETHER IN AN ACTION OF CONTRACT, NEGLIGENCE OR OTHER TORTIOUS ACTION, ARISING OUT OF OR IN CONNECTION WITH THE USE OR PERFORMANCE OF THIS SOFTWARE.

Some code is licensed under a MIT-style license to the following copyright holders:

Free Software Foundation, Inc.

Permission is hereby granted, free of charge, to any person obtaining a copy of this software and associated documentation files (the "Software"), to deal in the Software without restriction, including without limitation the rights to use, copy, modify, merge, publish, distribute, distribute with modifications, sublicense, and/or sell copies of the Software, and to permit persons to whom the Software is furnished to do so, subject to the following conditions:

The above copyright notice and this permission notice shall be included in all copies or substantial portions of the Software.

THE SOFTWARE IS PROVIDED "AS IS", WITHOUT WARRANTY OF ANY KIND, EXPRESS OR IMPLIED, INCLUDING BUT NOT LIMITED TO THE WARRANTIES OF MERCHANTABILITY, FITNESS FOR A PARTICULAR PURPOSE AND NONINFRINGEMENT. IN NO EVENT SHALL THE ABOVE COPYRIGHT HOLDERS BE LIABLE FOR ANY CLAIM, DAMAGES OR OTHER LIABILITY, WHETHER IN AN ACTION OF CONTRACT, TORT OR OTHERWISE, ARISING FROM, OUT OF OR IN CONNECTION WITH THE SOFTWARE OR THE USE OR OTHER DEALINGS IN THE SOFTWARE.

Except as contained in this notice, the name(s) of the above copyright holders shall not be used in advertising or otherwise to promote the sale, use or other dealings in this Software without prior written authorization.

This product includes software libpng to which the license below applies. Please note that we cannot respond to inquiries regarding the content of the source code.

libpng versions 1.2.6, August 15, 2004, through 1.5.2, March 31, 2011, are Copyright (c) 2004, 2006-2011 Glenn Randers-Pehrson, and are distributed according to the same disclaimer and license as libpng-1.2.5 with the following individual added to the list of Contributing Authors

Cosmin Truta

libpng versions 1.0.7, July 1, 2000, through 1.2.5 - October 3, 2002, are Copyright (c) 2000-2002 Glenn Randers-Pehrson, and are distributed according

to the same disclaimer and license as libpng-1.0.6 with the following individuals added to the list of Contributing Authors

Simon-Pierre Cadieux
Eric S. Raymond
Gilles Vollant

and with the following additions to the disclaimer:

There is no warranty against interference with your enjoyment of the library or against infringement. There is no warranty that our efforts or the library will fulfill any of your particular purposes or needs. This library is provided with all faults, and the entire risk of satisfactory quality, performance, accuracy, and effort is with the user.

libpng versions 0.97, January 1998, through 1.0.6, March 20, 2000, are Copyright (c) 1998, 1999 Glenn Randers-Pehrson, and are distributed according to the same disclaimer and license as libpng-0.96, with the following individuals added to the list of Contributing Authors:

Tom Lane
Glenn Randers-Pehrson
Willem van Schaik

libpng versions 0.89, June 1996, through 0.96, May 1997, are Copyright (c) 1996, 1997 Andreas Dilger Distributed according to the same disclaimer and license as libpng-0.88, with the following individuals added to the list of Contributing Authors:

John Bowler
Kevin Bracey
Sam Bushell
Magnus Holmgren
Greg Roelofs
Tom Tanner

libpng versions 0.5, May 1995, through 0.88, January 1996, are Copyright (c) 1995, 1996 Guy Eric Schalnat, Group 42, Inc.

For the purposes of this copyright and license, "Contributing Authors" is defined as the following set of individuals:

Andreas Dilger
Dave Martindale
Guy Eric Schalnat
Paul Schmidt
Tim Wegner

The PNG Reference Library is supplied "AS IS". The Contributing Authors and Group 42, Inc. disclaim all warranties, expressed or implied, including, without limitation, the warranties of merchantability and of fitness for any purpose. The Contributing Authors and Group 42, Inc. assume no liability for direct, indirect, incidental, special, exemplary, or consequential damages, which may result from the use of the PNG Reference Library, even if advised of the possibility of such damage.

Permission is hereby granted to use, copy, modify, and distribute this source code, or portions hereof, for any purpose, without fee, subject to the following restrictions:

1. The origin of this source code must not be misrepresented.
2. Altered versions must be plainly marked as such and must not be misrepresented as being the original source.
3. This Copyright notice may not be removed or altered from any source or altered source distribution.

The Contributing Authors and Group 42, Inc. specifically permit, without fee, and encourage the use of this source code as a component to supporting the PNG file format in commercial products. If you use this source code in a product, acknowledgment is not required but would be appreciated.

A "png_get_copyright" function is available, for convenient use in "about" boxes and the like:

```
printf("%s",png_get_copyright(NULL));
```

Also, the PNG logo (in PNG format, of course) is supplied in the files "pngbar.png" and "pngbar.jpg (88x31) and "pngnow.png" (98x31).

Libpng is OSI Certified Open Source Software. OSI Certified Open Source is a certification mark of the Open Source Initiative.

Glenn Randers-Pehrson
glennrp at users.sourceforge.net

This product includes software libcurl to which the license below applies. Please note that we cannot respond to inquiries regarding the content of the source code.

Copyright (c) 1996 - 2010, Daniel Stenberg, <daniel@haxx.se>.

All rights reserved.

Permission to use, copy, modify, and distribute this software for any purpose with or without fee is hereby granted, provided that the above copyright notice and this permission notice appear in all copies.

THE SOFTWARE IS PROVIDED "AS IS", WITHOUT WARRANTY OF ANY KIND, EXPRESS OR IMPLIED, INCLUDING BUT NOT LIMITED TO THE WARRANTIES OF MERCHANTABILITY, FITNESS FOR A PARTICULAR PURPOSE AND NONINFRINGEMENT OF THIRD PARTY RIGHTS. IN NO EVENT SHALL THE AUTHORS OR COPYRIGHT HOLDERS BE LIABLE FOR ANY CLAIM, DAMAGES OR OTHER LIABILITY, WHETHER IN AN ACTION OF CONTRACT, TORT OR OTHERWISE, ARISING FROM, OUT OF OR IN CONNECTION WITH THE SOFTWARE OR THE USE OR OTHER DEALINGS IN THE SOFTWARE.

Except as contained in this notice, the name of a copyright holder shall not be used in advertising or otherwise to promote the sale, use or other dealings in this Software without prior written authorization of the copyright holder.

This product includes software libexpat to which the license below applies. Please note that we cannot respond to inquiries regarding the content of the source code.

Copyright (c) 1998, 1999, 2000 Thai Open Source Software Center Ltd and Clark Cooper
Copyright (c) 2001, 2002, 2003, 2004, 2005, 2006 Expat maintainers.

Permission is hereby granted, free of charge, to any person obtaining a copy of this software and associated documentation files (the Software), to deal in the Software without restriction, including without limitation the rights to use, copy, modify, merge, publish, distribute, sublicense, and/or sell copies of the Software, and to permit persons to whom the Software is furnished to do so, subject to the following conditions:

The above copyright notice and this permission notice shall be included in all copies or substantial portions of the Software.

THE SOFTWARE IS PROVIDED "AS IS", WITHOUT WARRANTY OF ANY KIND, EXPRESS OR IMPLIED, INCLUDING BUT NOT LIMITED TO THE WARRANTIES OF MERCHANTABILITY, FITNESS FOR A PARTICULAR PURPOSE AND NONINFRINGEMENT. IN NO EVENT SHALL THE AUTHORS OR COPYRIGHT HOLDERS BE LIABLE FOR ANY CLAIM, DAMAGES OR OTHER LIABILITY, WHETHER IN AN ACTION OF CONTRACT, TORT OR OTHERWISE, ARISING FROM, OUT OF OR IN CONNECTION WITH THE SOFTWARE OR THE USE OR OTHER DEALINGS IN THE SOFTWARE.

This product includes software zlib to which the license below applies. Please note that we cannot respond to inquiries regarding the content of the source code.

zlib.h -- interface of the 'zlib' general purpose compression library version 1.2.5, April 19th, 2010

(C) 1995-2004 Jean-loup Gailly and Mark Adler

This software is provided 'as-is', without any express or implied warranty. In no event will the authors be held liable for any damages arising from the use of this software.

Permission is granted to anyone to use this software for any purpose, including commercial applications, and to alter it and redistribute it freely, subject to the following restrictions:

1. The origin of this software must not be misrepresented; you must not claim that you wrote the original software. If you use this software in a product, an acknowledgment in the product documentation would be appreciated but is not required.
2. Altered source versions must be plainly marked as such, and must not be misrepresented as being the original software.
3. This notice may not be removed or altered from any source distribution.

Jean-loup Gailly Mark Adler
jloup@gzip.org madler@alumni.caltech.edu

This product includes software lighttpd to which the license below applies. Please note that we cannot respond to inquiries regarding the content of the source code.

Copyright (c) 2004, Jan Kneschke, incremental
All rights reserved.

Redistribution and use in source and binary forms, with or without modification, are permitted provided that the following conditions are met:

- Redistributions of source code must retain the above copyright notice, this list of conditions and the following disclaimer.
- Redistributions in binary form must reproduce the above copyright notice, this list of conditions and the following disclaimer in the documentation and/or other materials provided with the distribution.
- Neither the name of the 'incremental' nor the names of its contributors may be used to endorse or promote products derived from this software without specific prior written permission.

THIS SOFTWARE IS PROVIDED BY THE COPYRIGHT HOLDERS AND CONTRIBUTORS "AS IS" AND ANY EXPRESS OR IMPLIED WARRANTIES, INCLUDING, BUT NOT LIMITED TO, THE IMPLIED WARRANTIES OF MERCHANTABILITY AND FITNESS FOR A PARTICULAR PURPOSE ARE DISCLAIMED. IN NO EVENT SHALL THE COPYRIGHT OWNER OR CONTRIBUTORS BE LIABLE FOR ANY DIRECT, INDIRECT, INCIDENTAL, SPECIAL, EXEMPLARY, OR CONSEQUENTIAL DAMAGES (INCLUDING, BUT NOT LIMITED TO, PROCUREMENT OF SUBSTITUTE GOODS OR SERVICES; LOSS OF USE, DATA, OR PROFITS; OR BUSINESS INTERRUPTION) HOWEVER CAUSED AND ON ANY THEORY OF LIABILITY, WHETHER IN CONTRACT, STRICT LIABILITY, OR TORT (INCLUDING NEGLIGENCE OR OTHERWISE) ARISING IN ANY WAY OUT OF THE USE OF THIS SOFTWARE, EVEN IF ADVISED OF THE POSSIBILITY OF SUCH DAMAGE.

This product includes software file to which the license below applies. Please note that we cannot respond to inquiries regarding the content of the source code.

Copyright (c) Ian F. Darwin 1986, 1987, 1989, 1990, 1991, 1992, 1994, 1995.
Software written by Ian F. Darwin and others;
maintained 1994- Christos Zoulas.

This software is not subject to any export provision of the United States Department of Commerce, and may be exported to any country or planet.

Redistribution and use in source and binary forms, with or without modification, are permitted provided that the following conditions are met:

1. Redistributions of source code must retain the above copyright notice immediately at the beginning of the file, without modification, this list of conditions, and the following disclaimer.
2. Redistributions in binary form must reproduce the above copyright notice, this list of conditions and the following disclaimer in the documentation and/or other materials provided with the distribution.

THIS SOFTWARE IS PROVIDED BY THE AUTHOR AND CONTRIBUTORS "AS IS" AND ANY EXPRESS OR IMPLIED WARRANTIES, INCLUDING, BUT NOT LIMITED TO, THE IMPLIED WARRANTIES OF MERCHANTABILITY AND FITNESS FOR A PARTICULAR PURPOSE ARE DISCLAIMED. IN NO

EVENT SHALL THE AUTHOR OR CONTRIBUTORS BE LIABLE FOR ANY DIRECT, INDIRECT, INCIDENTAL, SPECIAL, EXEMPLARY, OR CONSEQUENTIAL DAMAGES (INCLUDING, BUT NOT LIMITED TO, PROCUREMENT OF SUBSTITUTE GOODS OR SERVICES; LOSS OF USE, DATA, OR PROFITS; OR BUSINESS INTERRUPTION) HOWEVER CAUSED AND ON ANY THEORY OF LIABILITY, WHETHER IN CONTRACT, STRICT LIABILITY, OR TORT (INCLUDING NEGLIGENCE OR OTHERWISE) ARISING IN ANY WAY OUT OF THE USE OF THIS SOFTWARE, EVEN IF ADVISED OF THE POSSIBILITY OF SUCH DAMAGE.

This product includes software freetype to which the license below applies. Please note that we cannot respond to inquiries regarding the content of the source code.

The FreeType Project LICENSE

2006-Jan-27

Copyright 1996-2002, 2006 by
David Turner, Robert Wilhelm, and Werner Lemberg

Introduction

The FreeType Project is distributed in several archive packages; some of them may contain, in addition to the FreeType font engine, various tools and contributions which rely on, or relate to, the FreeType Project.

This license applies to all files found in such packages, and which do not fall under their own explicit license. The license affects thus the FreeType font engine, the test programs, documentation and makefiles, at the very least.

This license was inspired by the BSD, Artistic, and IJG (Independent JPEG Group) licenses, which all encourage inclusion and use of free software in commercial and freeware products alike. As a consequence, its main points are that:

- o We don't promise that this software works. However, we will be interested in any kind of bug reports. ('as is' distribution)
- o You can use this software for whatever you want, in parts or full form, without having to pay us. ('royalty-free' usage)
- o You may not pretend that you wrote this software. If you use it, or only parts of it, in a program, you must acknowledge somewhere in your documentation that you have used the FreeType code. ('credits')

We specifically permit and encourage the inclusion of this software, with or without modifications, in commercial products. We disclaim all warranties covering The FreeType Project and assume no liability related to The FreeType Project.

Finally, many people asked us for a preferred form for a credit/disclaimer to use in compliance with this license. We thus encourage you to use the following text:

```
""
Portions of this software are copyright ? <year> The FreeType Project
(www.freetype.org). All rights reserved.
""
```

Please replace <year> with the value from the FreeType version you actually use.

Legal Terms

0. Definitions

Throughout this license, the terms 'package', 'FreeType Project', and 'FreeType archive' refer to the set of files originally distributed by the authors (David Turner, Robert Wilhelm, and Werner Lemberg) as the 'FreeType Project', be they named as alpha, beta or final release.

'You' refers to the licensee, or person using the project, where 'using' is a generic term including compiling the project's source code as well as linking it to form a 'program' or 'executable'. This program is referred to as 'a program using the FreeType engine'.

This license applies to all files distributed in the original FreeType Project, including all source code, binaries and documentation, unless otherwise stated in the file in its original, unmodified form as distributed in the original archive. If you are unsure whether or not a particular file is covered by this license, you must contact us to verify this.

The FreeType Project is copyright (C) 1996-2000 by David Turner, Robert Wilhelm, and Werner Lemberg. All rights reserved except as specified below.

1. No Warranty

THE FREETYPE PROJECT IS PROVIDED 'AS IS' WITHOUT WARRANTY OF ANY KIND, EITHER EXPRESS OR IMPLIED, INCLUDING, BUT NOT LIMITED TO, WARRANTIES OF MERCHANTABILITY AND FITNESS FOR A PARTICULAR PURPOSE. IN NO EVENT WILL ANY OF THE AUTHORS OR COPYRIGHT HOLDERS BE LIABLE FOR ANY DAMAGES CAUSED BY THE USE OR THE INABILITY TO USE, OF THE FREETYPE PROJECT.

2. Redistribution

This license grants a worldwide, royalty-free, perpetual and irrevocable right and license to use, execute, perform, compile, display, copy, create derivative works of, distribute and sublicense the FreeType Project (in both source and object code forms) and derivative works thereof for any purpose; and to authorize others to exercise some or all of the rights granted herein, subject to the following conditions:

- o Redistribution of source code must retain this license file ('FTL.TXT') unaltered; any additions, deletions or changes to the original files must be clearly indicated in accompanying documentation. The copyright notices of the unaltered, original files must be preserved in all copies of source files.
- o Redistribution in binary form must provide a disclaimer that states that the software is based in part of the work of the FreeType Team, in the distribution documentation. We also encourage you to put a URL to the FreeType web page in your documentation, though this isn't mandatory.

These conditions apply to any software derived from or based on the FreeType Project, not just the unmodified files. If you use our work, you must acknowledge us. However, no fee need be paid to us.

3. Advertising

Neither the FreeType authors and contributors nor you shall use the name of the other for commercial, advertising, or promotional purposes without specific prior written permission.

We suggest, but do not require, that you use one or more of the following phrases to refer to this software in your documentation or advertising materials: 'FreeType Project', 'FreeType Engine', 'FreeType library', or 'FreeType Distribution'.

As you have not signed this license, you are not required to accept it. However, as the FreeType Project is copyrighted material, only this license, or another one contracted with the authors, grants you the right to use, distribute, and modify it. Therefore, by using, distributing, or modifying the FreeType Project, you indicate that you understand and accept all the terms of this license.

4. Contacts

There are two mailing lists related to FreeType:

o freetype@nongnu.org

Discusses general use and applications of FreeType, as well as future and wanted additions to the library and distribution. If you are looking for support, start in this list if you haven't found anything to help you in the documentation.

o freetype-devel@nongnu.org

Discusses bugs, as well as engine internals, design issues, specific licenses, porting, etc.

Our home page can be found at

<http://www.freetype.org>

This product includes software usagi-tool to which the license below applies. Please note that we cannot respond to inquiries regarding the content of the source code.

Copyright (C) 2007 USAGI/WIDE Project.
All rights reserved.

Redistribution and use in source and binary forms, with or without modification, are permitted provided that the following conditions are met:

1. Redistributions of source code must retain the above copyright notice, this list of conditions and the following disclaimer.
2. Redistributions in binary form must reproduce the above copyright notice, this list of conditions and the following disclaimer in the documentation and/or other materials provided with the distribution.
3. Neither the name of the project nor the names of its contributors may be used to endorse or promote products derived from this software without specific prior written permission.

THIS SOFTWARE IS PROVIDED BY THE PROJECT AND CONTRIBUTORS "AS IS" AND ANY EXPRESS OR IMPLIED WARRANTIES, INCLUDING, BUT NOT LIMITED TO, THE IMPLIED WARRANTIES OF MERCHANTABILITY AND FITNESS FOR A PARTICULAR PURPOSE ARE DISCLAIMED. IN NO EVENT SHALL THE PROJECT OR CONTRIBUTORS BE LIABLE FOR ANY DIRECT, INDIRECT, INCIDENTAL, SPECIAL, EXEMPLARY, OR CONSEQUENTIAL DAMAGES (INCLUDING, BUT NOT LIMITED TO, PROCUREMENT OF SUBSTITUTE GOODS OR SERVICES; LOSS OF USE, DATA, OR PROFITS; OR BUSINESS INTERRUPTION) HOWEVER CAUSED AND ON ANY THEORY OF LIABILITY, WHETHER IN CONTRACT, STRICT LIABILITY, OR TORT (INCLUDING NEGLIGENCE OR OTHERWISE) ARISING IN ANY WAY OUT OF THE USE OF THIS SOFTWARE, EVEN IF ADVISED OF THE POSSIBILITY OF SUCH DAMAGE.

This product includes software Net BSD to which the license below applies. Please note that we cannot respond to inquiries regarding the content of the source code.

Copyright (c) 1994-2004 The NetBSD Foundation, Inc. All rights reserved.

Redistribution and use in source and binary forms, with or without modification, are permitted provided that the following conditions are met:

1. Redistributions of source code must retain the above copyright notice, this list of conditions and the following disclaimer.
2. Redistributions in binary form must reproduce the above copyright notice, this list of conditions and the following disclaimer in the documentation and/or other materials provided with the distribution.
3. All advertising materials mentioning features or use of this software must display the following acknowledgement:
This product includes software developed by the NetBSD Foundation, Inc. and its contributors.
4. Neither the name of The NetBSD Foundation nor the names of its contributors may be used to endorse or promote products derived from this software without specific prior written permission.

THIS SOFTWARE IS PROVIDED BY THE REGENTS AND CONTRIBUTORS "AS IS" AND ANY EXPRESS OR IMPLIED WARRANTIES, INCLUDING, BUT NOT LIMITED TO, THE IMPLIED WARRANTIES OF MERCHANTABILITY AND FITNESS FOR A PARTICULAR PURPOSE ARE DISCLAIMED. IN NO EVENT SHALL THE REGENTS OR CONTRIBUTORS BE LIABLE FOR ANY DIRECT, INDIRECT, INCIDENTAL, SPECIAL, EXEMPLARY, OR CONSEQUENTIAL DAMAGES (INCLUDING, BUT NOT LIMITED TO, PROCUREMENT OF SUBSTITUTE GOODS OR SERVICES; LOSS OF USE,

DATA, OR PROFITS; OR BUSINESS INTERRUPTION) HOWEVER CAUSED AND ON ANY THEORY OF LIABILITY, WHETHER IN CONTRACT, STRICT LIABILITY, OR TORT (INCLUDING NEGLIGENCE OR OTHERWISE) ARISING IN ANY WAY OUT OF THE USE OF THIS SOFTWARE, EVEN IF ADVISED OF THE POSSIBILITY OF SUCH DAMAGE.

The following notices are required to satisfy the license terms of the software that we have mentioned in this document:

This product includes software developed by Adam Glass.
This product includes software developed by Bill Paul.
This product includes software developed by Brini.
This product includes software developed by Causality Limited.
This product includes software developed by Charles M. Hannum.
This product includes software developed by Christian E. Hopps.
This product includes software developed by Christopher G. Demetriou.
This product includes software developed by Christopher G. Demetriou for the NetBSD Project.
This product includes software developed by Christos Zoulas.
This product includes software developed by Gardner Buchanan.
This product includes software developed by Gordon W. Ross.
This product includes software developed by Manuel Bouyer.
This product includes software developed by Mark Brinicombe.
This product includes software developed by Rolf Grossmann.
This product includes software developed by TooLs GmbH.
This product includes software developed by the NetBSD Foundation, Inc. and its contributors.
This product includes software developed by the RiscBSD team.
This product includes software developed by the University of California, Berkeley and its contributors.
This product includes software developed by the University of California, Lawrence Berkeley Laboratory and its contributors.
This product includes software developed by the University of California, Lawrence Berkeley Laboratory.
This product includes software developed for the NetBSD Project by Wasabi Systems, Inc.
This product includes software developed for the NetBSD Project by Matthias Drochner.

This product includes software ncurses to which the license below applies. Please note that we cannot respond to inquiries regarding the content of the source code.

Copyright (c) 1998-2004,2006 Free Software Foundation, Inc.

Permission is hereby granted, free of charge, to any person obtaining a copy of this software and associated documentation files (the "Software"), to deal in the Software without restriction, including without limitation the rights to use, copy, modify, merge, publish, distribute, distribute with modifications, sublicense, and/or sell copies of the Software, and to permit persons to whom the Software is furnished to do so, subject to the following conditions:

The above copyright notice and this permission notice shall be included in all copies or substantial portions of the Software.

THE SOFTWARE IS PROVIDED "AS IS", WITHOUT WARRANTY OF ANY KIND, EXPRESS OR IMPLIED, INCLUDING BUT NOT LIMITED TO THE WARRANTIES OF MERCHANTABILITY, FITNESS FOR A PARTICULAR PURPOSE AND NONINFRINGEMENT. IN NO EVENT SHALL THE ABOVE COPYRIGHT HOLDERS BE LIABLE FOR ANY CLAIM, DAMAGES OR OTHER LIABILITY, WHETHER IN AN ACTION OF CONTRACT, TORT OR OTHERWISE, ARISING FROM, OUT OF OR IN CONNECTION WITH THE SOFTWARE OR THE USE OR OTHER DEALINGS IN THE SOFTWARE.

Except as contained in this notice, the name(s) of the above copyright holders shall not be used in advertising or otherwise to promote the sale, use or other dealings in this Software without prior written authorization.

This product includes software libjpeg to which the license below applies. Please note that we cannot respond to inquiries regarding the content of the source code.

This software is based in part on the work of the Independent JPEG Group.

This product includes software glibc, glibc-libpthread_ptt to which the license below applies.

Please note that we cannot respond to inquiries regarding the content of the source code.

All code incorporated from 4.4 BSD is distributed under the following license:

Copyright (C) 1991 Regents of the University of California.
All rights reserved.

Redistribution and use in source and binary forms, with or without modification, are permitted provided that the following conditions are met:

1. Redistributions of source code must retain the above copyright notice, this list of conditions and the following disclaimer.
2. Redistributions in binary form must reproduce the above copyright notice, this list of conditions and the following disclaimer in the documentation and/or other materials provided with the distribution.
3. [This condition was removed.]
4. Neither the name of the University nor the names of its contributors may be used to endorse or promote products derived from this software without specific prior written permission.

THIS SOFTWARE IS PROVIDED BY THE REGENTS AND CONTRIBUTORS ``AS IS'' AND ANY EXPRESS OR IMPLIED WARRANTIES, INCLUDING, BUT NOT LIMITED TO, THE IMPLIED WARRANTIES OF MERCHANTABILITY AND FITNESS FOR A PARTICULAR PURPOSE ARE DISCLAIMED. IN NO EVENT SHALL THE REGENTS OR CONTRIBUTORS BE LIABLE FOR ANY DIRECT, INDIRECT, INCIDENTAL, SPECIAL, EXEMPLARY, OR CONSEQUENTIAL DAMAGES (INCLUDING, BUT NOT LIMITED TO, PROCUREMENT OF SUBSTITUTE GOODS

[root@pcu1148 SRPMS]# cat glibc/glibc-2.11.2/LICENSES

This file contains the copying permission notices for various files in the GNU C Library distribution that have copyright owners other than the Free Software Foundation. These notices all require that a copy of the notice be included in the accompanying documentation and be distributed with binary distributions of the code, so be sure to include this file along with any binary distributions derived from the GNU C Library.

All code incorporated from 4.4 BSD is distributed under the following license:

Copyright (C) 1991 Regents of the University of California.
All rights reserved.

Redistribution and use in source and binary forms, with or without modification, are permitted provided that the following conditions are met:

1. Redistributions of source code must retain the above copyright notice, this list of conditions and the following disclaimer.
2. Redistributions in binary form must reproduce the above copyright notice, this list of conditions and the following disclaimer in the documentation and/or other materials provided with the distribution.
3. [This condition was removed.]
4. Neither the name of the University nor the names of its contributors may be used to endorse or promote products derived from this software without specific prior written permission.

THIS SOFTWARE IS PROVIDED BY THE REGENTS AND CONTRIBUTORS ``AS IS'' AND ANY EXPRESS OR IMPLIED WARRANTIES, INCLUDING, BUT NOT LIMITED TO, THE IMPLIED WARRANTIES OF MERCHANTABILITY AND FITNESS FOR A PARTICULAR PURPOSE ARE DISCLAIMED. IN NO EVENT SHALL THE REGENTS OR CONTRIBUTORS BE LIABLE FOR ANY DIRECT, INDIRECT, INCIDENTAL, SPECIAL, EXEMPLARY, OR CONSEQUENTIAL DAMAGES (INCLUDING, BUT NOT LIMITED TO, PROCUREMENT OF SUBSTITUTE GOODS OR SERVICES; LOSS OF USE, DATA, OR PROFITS; OR BUSINESS INTERRUPTION) HOWEVER CAUSED AND ON ANY THEORY OF LIABILITY, WHETHER IN CONTRACT, STRICT LIABILITY, OR TORT (INCLUDING NEGLIGENCE OR OTHERWISE) ARISING IN ANY WAY OUT OF THE USE OF THIS SOFTWARE, EVEN IF ADVISED OF THE POSSIBILITY OF SUCH DAMAGE.

The DNS resolver code, taken from BIND 4.9.5, is copyrighted both by UC Berkeley and by Digital Equipment Corporation. The DEC portions are under the following license:

Portions Copyright (C) 1993 by Digital Equipment Corporation.

Permission to use, copy, modify, and distribute this software for any purpose with or without fee is hereby granted, provided that the above copyright notice

and this permission notice appear in all copies, and that the name of Digital Equipment Corporation not be used in advertising or publicity pertaining to distribution of the document or software without specific, written prior permission.

THE SOFTWARE IS PROVIDED ``AS IS'' AND DIGITAL EQUIPMENT CORP. DISCLAIMS ALL WARRANTIES WITH REGARD TO THIS SOFTWARE, INCLUDING ALL IMPLIED WARRANTIES OF MERCHANTABILITY AND FITNESS. IN NO EVENT SHALL DIGITAL EQUIPMENT CORPORATION BE LIABLE FOR ANY SPECIAL, DIRECT, INDIRECT, OR CONSEQUENTIAL DAMAGES OR ANY DAMAGES WHATSOEVER RESULTING FROM LOSS OF USE, DATA OR PROFITS, WHETHER IN AN ACTION OF CONTRACT, NEGLIGENCE OR OTHER TORTIOUS ACTION, ARISING OUT OF OR IN CONNECTION WITH THE USE OR PERFORMANCE OF THIS SOFTWARE.

The Sun RPC support (from rpcsrc-4.0) is covered by the following license:

Copyright (C) 1984, Sun Microsystems, Inc.

Sun RPC is a product of Sun Microsystems, Inc. and is provided for unrestricted use provided that this legend is included on all tape media and as a part of the software program in whole or part. Users may copy or modify Sun RPC without charge, but are not authorized to license or distribute it to anyone else except as part of a product or program developed by the user.

SUN RPC IS PROVIDED AS IS WITH NO WARRANTIES OF ANY KIND INCLUDING THE WARRANTIES OF DESIGN, MERCHANTABILITY AND FITNESS FOR A PARTICULAR PURPOSE, OR ARISING FROM A COURSE OF DEALING, USAGE OR TRADE PRACTICE.

Sun RPC is provided with no support and without any obligation on the part of Sun Microsystems, Inc. to assist in its use, correction, modification or enhancement.

SUN MICROSYSTEMS, INC. SHALL HAVE NO LIABILITY WITH RESPECT TO THE INFRINGEMENT OF COPYRIGHTS, TRADE SECRETS OR ANY PATENTS BY SUN RPC OR ANY PART THEREOF.

In no event will Sun Microsystems, Inc. be liable for any lost revenue or profits or other special, indirect and consequential damages, even if Sun has been advised of the possibility of such damages.

The following CMU license covers some of the support code for Mach, derived from Mach 3.0:

Mach Operating System
Copyright (C) 1991,1990,1989 Carnegie Mellon University
All Rights Reserved.

Permission to use, copy, modify and distribute this software and its documentation is hereby granted, provided that both the copyright notice and this permission notice appear in all copies of the software, derivative works or modified versions, and any portions thereof, and that both notices appear in supporting documentation.

CARNEGIE MELLON ALLOWS FREE USE OF THIS SOFTWARE IN ITS ``AS IS'' CONDITION. CARNEGIE MELLON DISCLAIMS ANY LIABILITY OF ANY KIND FOR ANY DAMAGES WHATSOEVER RESULTING FROM THE USE OF THIS SOFTWARE.

Carnegie Mellon requests users of this software to return to

Software Distribution Coordinator
School of Computer Science
Carnegie Mellon University
Pittsburgh PA 15213-3890

or Software.Distribution@CS.CMU.EDU any improvements or extensions that they make and grant Carnegie Mellon the rights to redistribute these changes.

The file if_ppp.h is under the following CMU license:

Redistribution and use in source and binary forms, with or without modification, are permitted provided that the following conditions are met:

1. Redistributions of source code must retain the above copyright notice, this list of conditions and the following disclaimer.

2. Redistributions in binary form must reproduce the above copyright notice, this list of conditions and the following disclaimer in the documentation and/or other materials provided with the distribution.
3. Neither the name of the University nor the names of its contributors may be used to endorse or promote products derived from this software without specific prior written permission.

THIS SOFTWARE IS PROVIDED BY CARNEGIE MELLON UNIVERSITY AND CONTRIBUTORS "AS IS" AND ANY EXPRESS OR IMPLIED WARRANTIES, INCLUDING, BUT NOT LIMITED TO, THE IMPLIED WARRANTIES OF MERCHANTABILITY AND FITNESS FOR A PARTICULAR PURPOSE ARE DISCLAIMED. IN NO EVENT SHALL THE UNIVERSITY OR CONTRIBUTORS BE LIABLE FOR ANY DIRECT, INDIRECT, INCIDENTAL, SPECIAL, EXEMPLARY, OR CONSEQUENTIAL DAMAGES (INCLUDING, BUT NOT LIMITED TO, PROCUREMENT OF SUBSTITUTE GOODS OR SERVICES; LOSS OF USE, DATA, OR PROFITS; OR BUSINESS INTERRUPTION) HOWEVER CAUSED AND ON ANY THEORY OF LIABILITY, WHETHER IN CONTRACT, STRICT LIABILITY, OR TORT (INCLUDING NEGLIGENCE OR OTHERWISE) ARISING IN ANY WAY OUT OF THE USE OF THIS SOFTWARE, EVEN IF ADVISED OF THE POSSIBILITY OF SUCH DAMAGE.

The following license covers the files from Intel's "Highly Optimized Mathematical Functions for Itanium" collection:

Intel License Agreement

Copyright (c) 2000, Intel Corporation

All rights reserved.

Redistribution and use in source and binary forms, with or without modification, are permitted provided that the following conditions are met:

- Redistributions of source code must retain the above copyright notice, this list of conditions and the following disclaimer.
- Redistributions in binary form must reproduce the above copyright notice, this list of conditions and the following disclaimer in the documentation and/or other materials provided with the distribution.
- The name of Intel Corporation may not be used to endorse or promote products derived from this software without specific prior written permission.

THIS SOFTWARE IS PROVIDED BY THE COPYRIGHT HOLDERS AND CONTRIBUTORS "AS IS" AND ANY EXPRESS OR IMPLIED WARRANTIES, INCLUDING, BUT NOT LIMITED TO, THE IMPLIED WARRANTIES OF MERCHANTABILITY AND FITNESS FOR A PARTICULAR PURPOSE ARE DISCLAIMED. IN NO EVENT SHALL INTEL OR CONTRIBUTORS BE LIABLE FOR ANY DIRECT, INDIRECT, INCIDENTAL, SPECIAL, EXEMPLARY, OR CONSEQUENTIAL DAMAGES (INCLUDING, BUT NOT LIMITED TO, PROCUREMENT OF SUBSTITUTE GOODS OR SERVICES; LOSS OF USE, DATA, OR PROFITS; OR BUSINESS INTERRUPTION) HOWEVER CAUSED AND ON ANY THEORY OF LIABILITY, WHETHER IN CONTRACT, STRICT LIABILITY, OR TORT (INCLUDING NEGLIGENCE OR OTHERWISE) ARISING IN ANY WAY OUT OF THE USE OF THIS SOFTWARE, EVEN IF ADVISED OF THE POSSIBILITY OF SUCH DAMAGE.

The files inet/getnameinfo.c and sysdeps/posix/getaddrinfo.c are copyright (C) by Craig Metz and are distributed under the following license:

/* The Inner Net License, Version 2.00

The author(s) grant permission for redistribution and use in source and binary forms, with or without modification, of the software and documentation provided that the following conditions are met:

0. If you receive a version of the software that is specifically labelled as not being for redistribution (check the version message and/or README), you are not permitted to redistribute that version of the software in any way or form.
1. All terms of the all other applicable copyrights and licenses must be followed.
2. Redistributions of source code must retain the authors' copyright notice(s), this list of conditions, and the following disclaimer.
3. Redistributions in binary form must reproduce the authors' copyright notice(s), this list of conditions, and the following disclaimer in the documentation and/or other materials provided with the distribution.
4. [The copyright holder has authorized the removal of this clause.]

5. Neither the name(s) of the author(s) nor the names of its contributors may be used to endorse or promote products derived from this software without specific prior written permission.

THIS SOFTWARE IS PROVIDED BY ITS AUTHORS AND CONTRIBUTORS "AS IS" AND ANY EXPRESS OR IMPLIED WARRANTIES, INCLUDING, BUT NOT LIMITED TO, THE IMPLIED WARRANTIES OF MERCHANTABILITY AND FITNESS FOR A PARTICULAR PURPOSE ARE DISCLAIMED. IN NO EVENT SHALL THE AUTHORS OR CONTRIBUTORS BE LIABLE FOR ANY DIRECT, INDIRECT, INCIDENTAL, SPECIAL, EXEMPLARY, OR CONSEQUENTIAL DAMAGES (INCLUDING, BUT NOT LIMITED TO, PROCUREMENT OF SUBSTITUTE GOODS OR SERVICES; LOSS OF USE, DATA, OR PROFITS; OR BUSINESS INTERRUPTION) HOWEVER CAUSED AND ON ANY THEORY OF LIABILITY, WHETHER IN CONTRACT, STRICT LIABILITY, OR TORT (INCLUDING NEGLIGENCE OR OTHERWISE) ARISING IN ANY WAY OUT OF THE USE OF THIS SOFTWARE, EVEN IF ADVISED OF THE POSSIBILITY OF SUCH DAMAGE.

If these license terms cause you a real problem, contact the author. */

This product includes software iputils to which the license below applies. Please note that we cannot respond to inquiries regarding the content of the source code.

Copyright (c) 1989 The Regents of the University of California. All rights reserved.

This code is derived from software contributed to Berkeley by Mike Muuss.

Redistribution and use in source and binary forms, with or without modification, are permitted provided that the following conditions are met:

1. Redistributions of source code must retain the above copyright notice, this list of conditions and the following disclaimer.
2. Redistributions in binary form must reproduce the above copyright notice, this list of conditions and the following disclaimer in the documentation and/or other materials provided with the distribution.
3. All advertising materials mentioning features or use of this software must display the following acknowledgement:

This product includes software developed by the University of California, Berkeley and its contributors.

4. Neither the name of the University nor the names of its contributors may be used to endorse or promote products derived from this software without specific prior written permission.

THIS SOFTWARE IS PROVIDED BY THE REGENTS AND CONTRIBUTORS "AS IS" AND ANY EXPRESS OR IMPLIED WARRANTIES, INCLUDING, BUT NOT LIMITED TO, THE IMPLIED WARRANTIES OF MERCHANTABILITY AND FITNESS FOR A PARTICULAR PURPOSE ARE DISCLAIMED. IN NO EVENT SHALL THE REGENTS OR CONTRIBUTORS BE LIABLE FOR ANY DIRECT, INDIRECT, INCIDENTAL, SPECIAL, EXEMPLARY, OR CONSEQUENTIAL DAMAGES (INCLUDING, BUT NOT LIMITED TO, PROCUREMENT OF SUBSTITUTE GOODS OR SERVICES; LOSS OF USE, DATA, OR PROFITS; OR BUSINESS INTERRUPTION) HOWEVER CAUSED AND ON ANY THEORY OF LIABILITY, WHETHER IN CONTRACT, STRICT LIABILITY, OR TORT (INCLUDING NEGLIGENCE OR OTHERWISE) ARISING IN ANY WAY OUT OF THE USE OF THIS SOFTWARE, EVEN IF ADVISED OF THE POSSIBILITY OF SUCH DAMAGE."

The material contained in this manual consists of information that is the property of Sony Corporation and is intended solely for use by the purchasers of the equipment described in this manual.

Sony Corporation expressly prohibits the duplication of any portion of this manual or the use thereof for any purpose other than the operation or maintenance of the equipment described in this manual without the express written permission of Sony Corporation.

HSC300RF (UC/CE)
HSC100RF (UC/CE)
HSC300R (UC/CE)
HSC100R (UC/CE)
4-479-636-11 (1)

Sony Corporation

<http://www.sony.net/>

© 2013